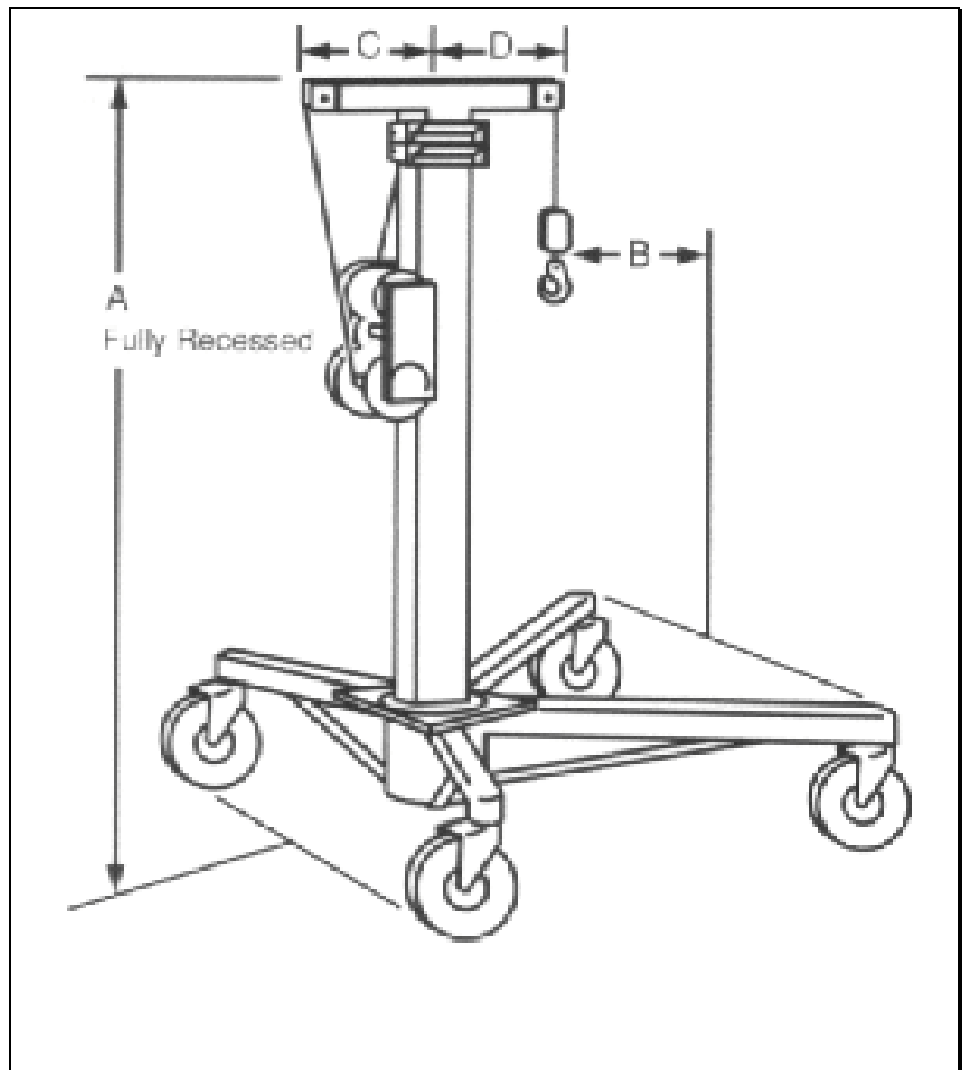




**LIFTING GEAR HIRE CORPORATION**  
**PHONE: 800-878-7305**  
**FAX: 708-430-3536**  
**www.lgh-usa.com**

**1,500 LBS.**  
**ROUST -A -BOUT**  
**SUMNER**  
**Z-100 (15')**



**ROUST-A-BOUT DIMENSIONS (in.)**

| A   | B   | C / D |
|-----|-----|-------|
| 79" | 20" | 12"   |

**ROUST-A-BOUT SPECIFICATIONS**

| Rated Load (lbs.) | Weight (lbs.) | Base Dimensions (in.) | Max Height (ft.) |
|-------------------|---------------|-----------------------|------------------|
| 1,500             | 311           | 32" x 40"             | 15'              |