



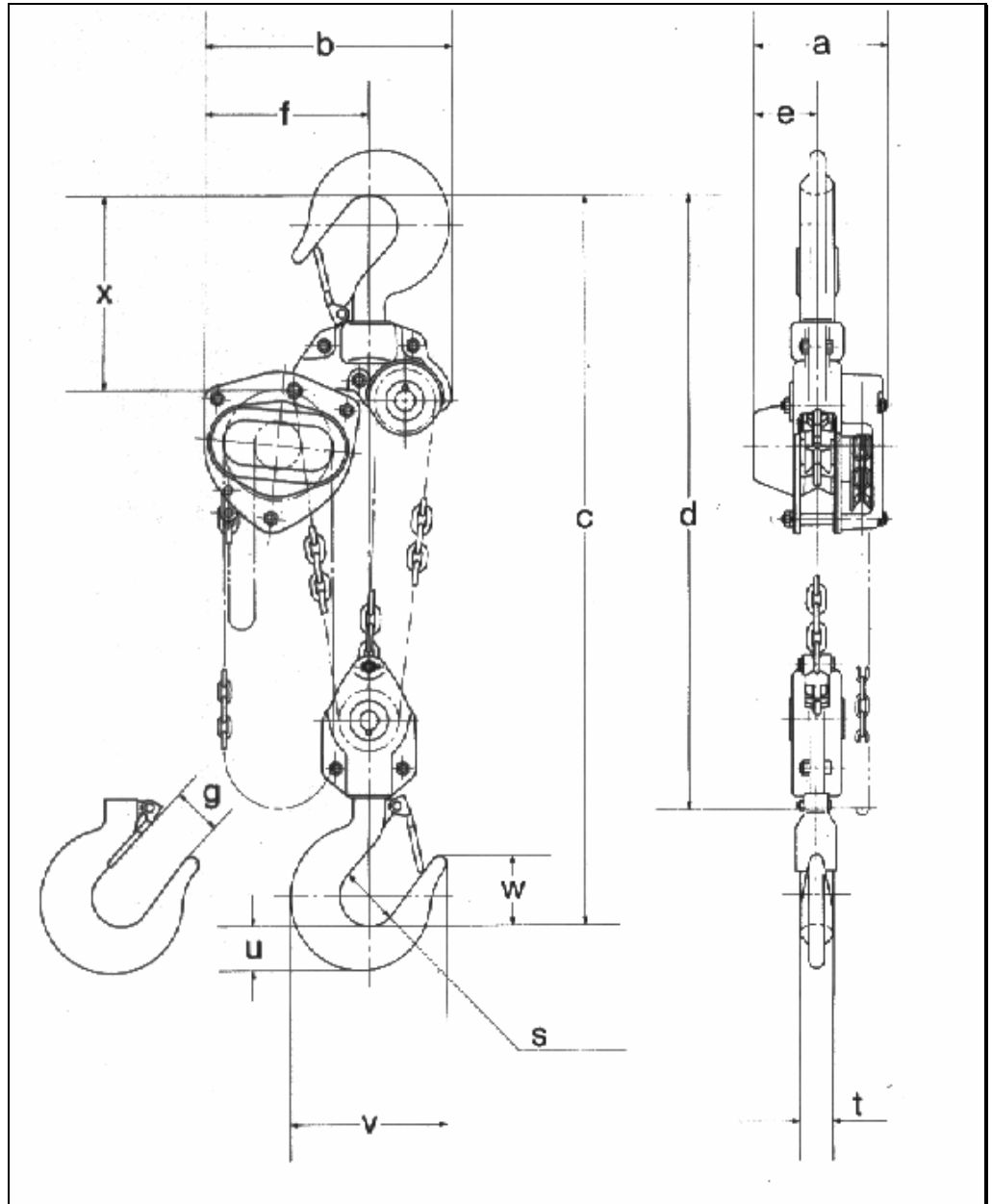
LIFTING GEAR HIRE CORPORATION

PHONE: 800-878-7305

FAX: 708-430-3536

www.lgh-usa.com

10 TON HAND CHAIN HOIST YALE SHA-10



HOIST DIMENSIONS (in.)

A	B	C	S	E	U	G	T	V	W	No. of load chain / Size
7.81"	15.06"	32.5"	-	4.19"	2.5"	2.75"	1.81"	8.75"	-	3 / 10 X 30.3 mm

HOIST SPECIFICATIONS

Rated Load	Weight with	Minimum Distance	Chain Pull to Lift	Hook
Throat (lbs.) 20000	(10' h.o.l.) 168# (7 lbs per extra foot h.o.l.)	Between Hooks (in.) 32 1/2"	Rated Load (lbs.) 95	Opening (in.) 2 3/4"