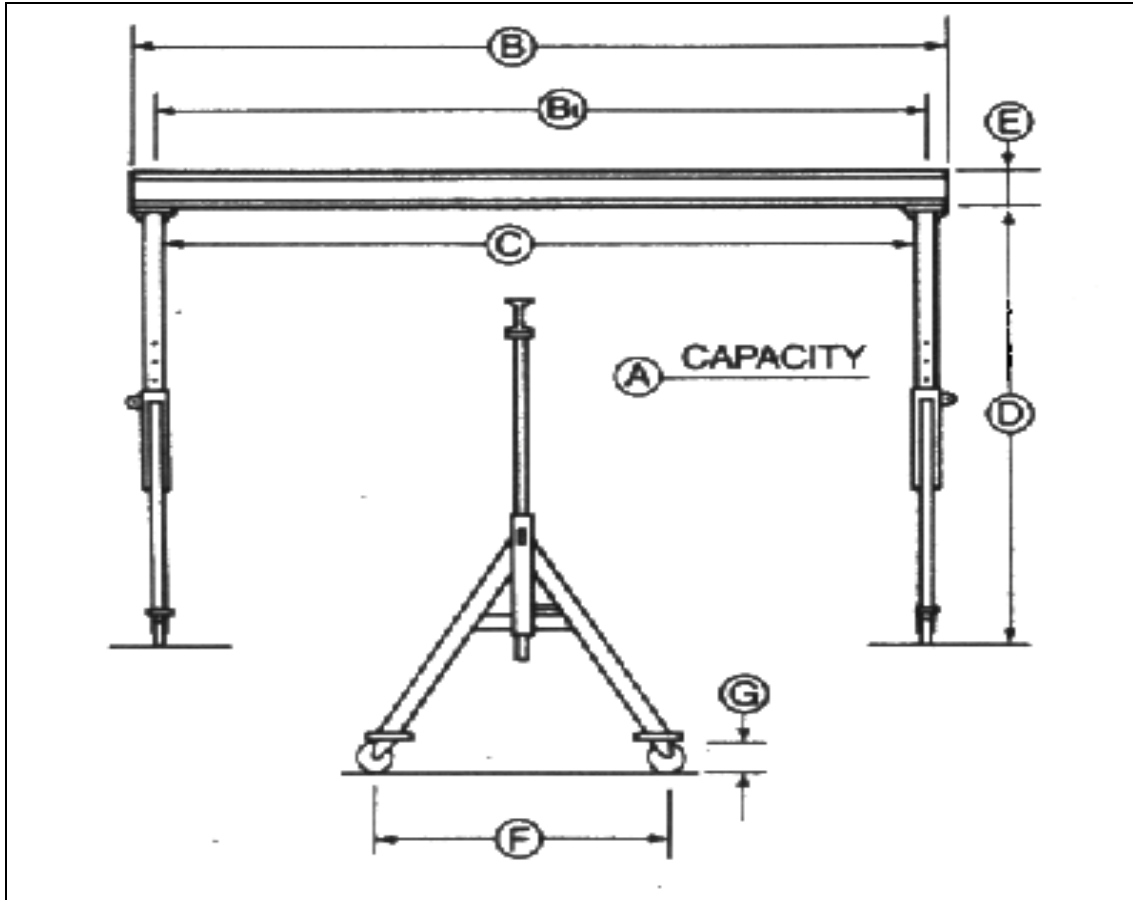




LIFTING GEAR HIRE CORPORATION
PHONE: 800-878-7305 FAX: 708-430-3536
www.lgh-usa.com
5 TON ADJUSTABLE GANTRY
SPANCO A SERIES



GANTRY DIMENSIONS (in.)

A	B	B1	C	D	E	F	G
5 Ton	10' - 40'	B - 11"	B - 17"	9'4" - 12'10" (or) 12'4" - 15'10"	*	6'6"	8"

GANTRY SPECIFICATIONS

Rated Load (lbs.)	Weight Legs (LBS.)	Height Under The Beam (D) Min / Max
10,000	786 / 870 #	9'4" 12'10" (or) 12'4" 15'10"

* = I-Beam Depth will vary depending on length of beam used