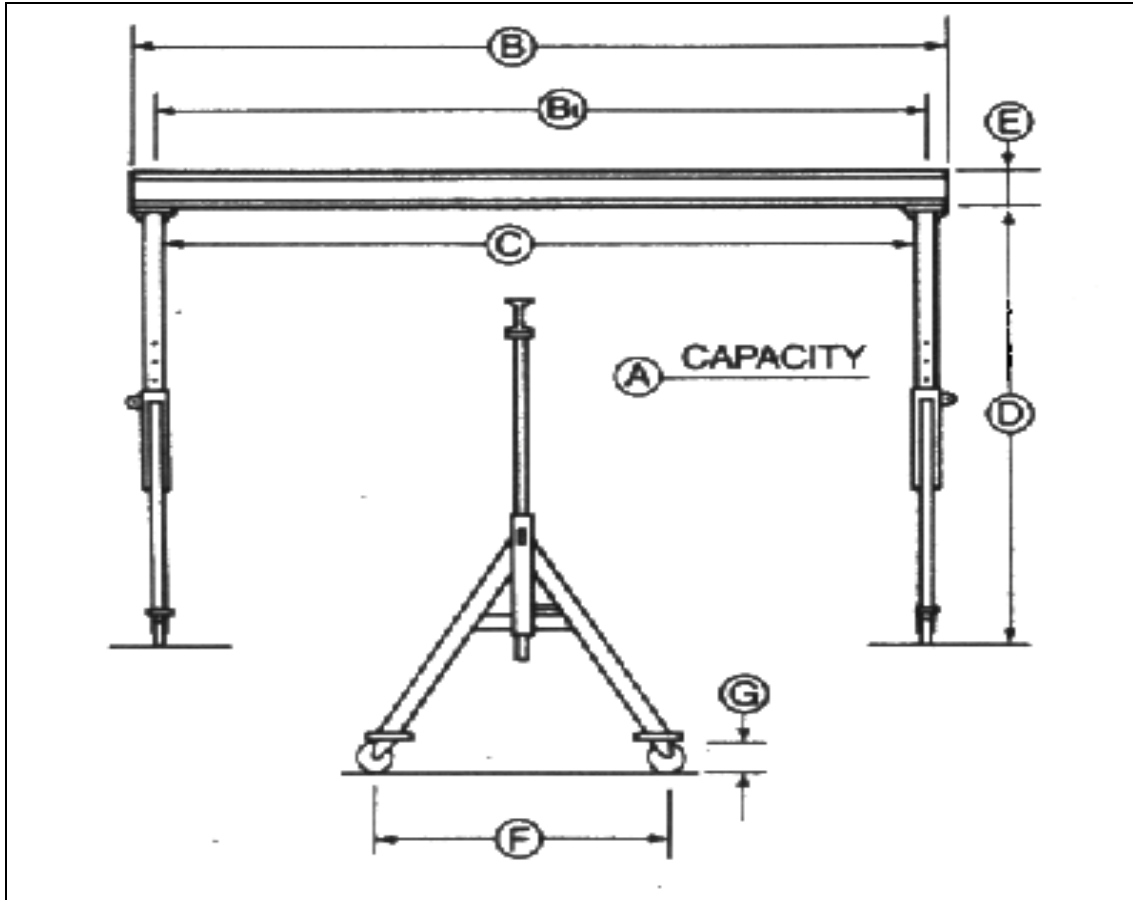




LIFTING GEAR HIRE CORPORATION
PHONE: 800-878-7305 FAX: 708-430-3536
www.lgh-usa.com
2 TON ADJUSTABLE GANTRY
SPANCO A SERIES



GANTRY DIMENSIONS (in.)

A	B	B1	C	D	E	F	G
2 Ton	10' - 40'	B - 11"	B - 14"	9'0" - 12'6" (or) 12'0" - 15'6"	*	6'6"	8"

GANTRY SPECIFICATIONS

Rated Load (lbs.)	Weight Legs (LBS.)	Height Under The Beam (D) Min / Max
4000	535 / 594 #	9'0" 12'6" (or) 12'0" 15'6"

* = I-Beam Depth will vary depending on length of beam used