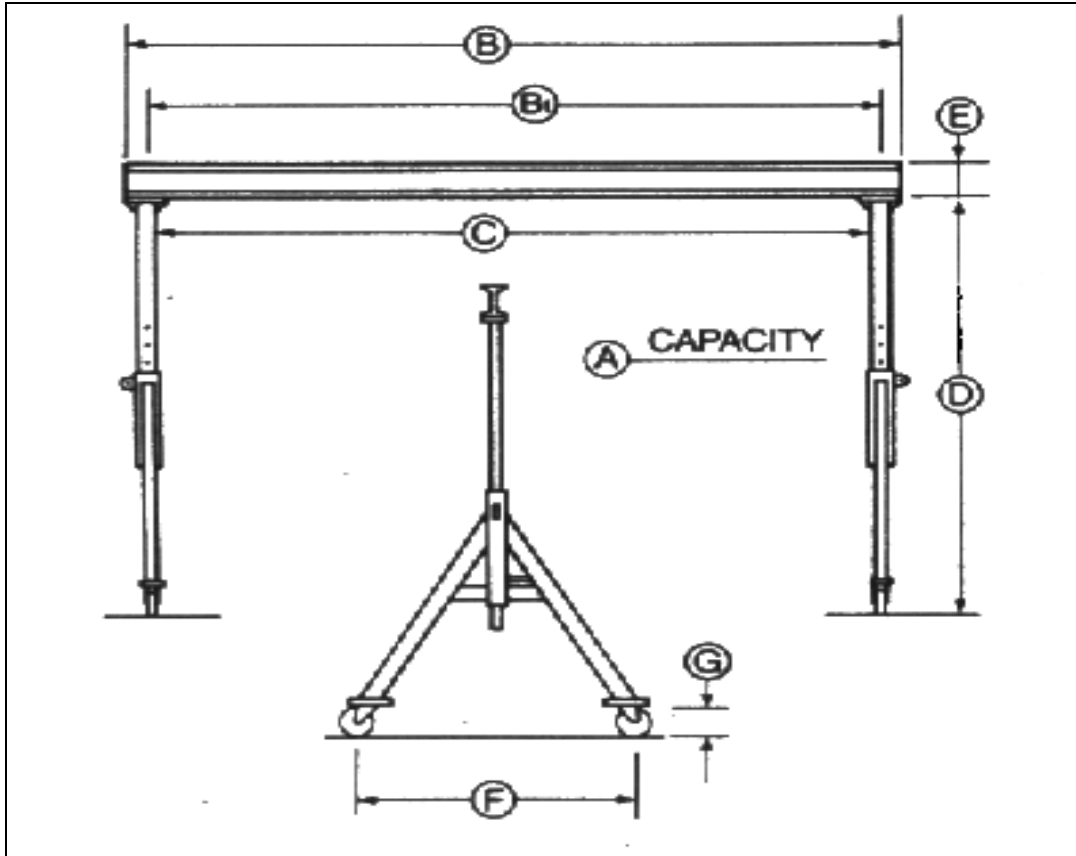




LIFTING GEAR HIRE CORPORATION
PHONE: 800-878-7305 FAX: 708-430-3536
www.lgh-usa.com
1 TON ADJUSTABLE GANTRY
SPANCO ALUMINUM ALLOY



GANTRY DIMENSIONS (in.)

A	B	B1	C	D	E	F	G
1 Ton	8' - 20'	B - 6"	B - 13"	5'8" - 8'2" (or) 7'8" - 10'2" (or) 9'8" - 12'2"	*	4'6"	6"

GANTRY SPECIFICATIONS

Rated Load (lbs.) 2,000	Weight Legs (LBS.) 90	Height Under The Beam (D) Min / Max * See Dimension "D"
-------------------------------	-----------------------------	---

* = I-Beam Depth will vary depending on length of beam used