

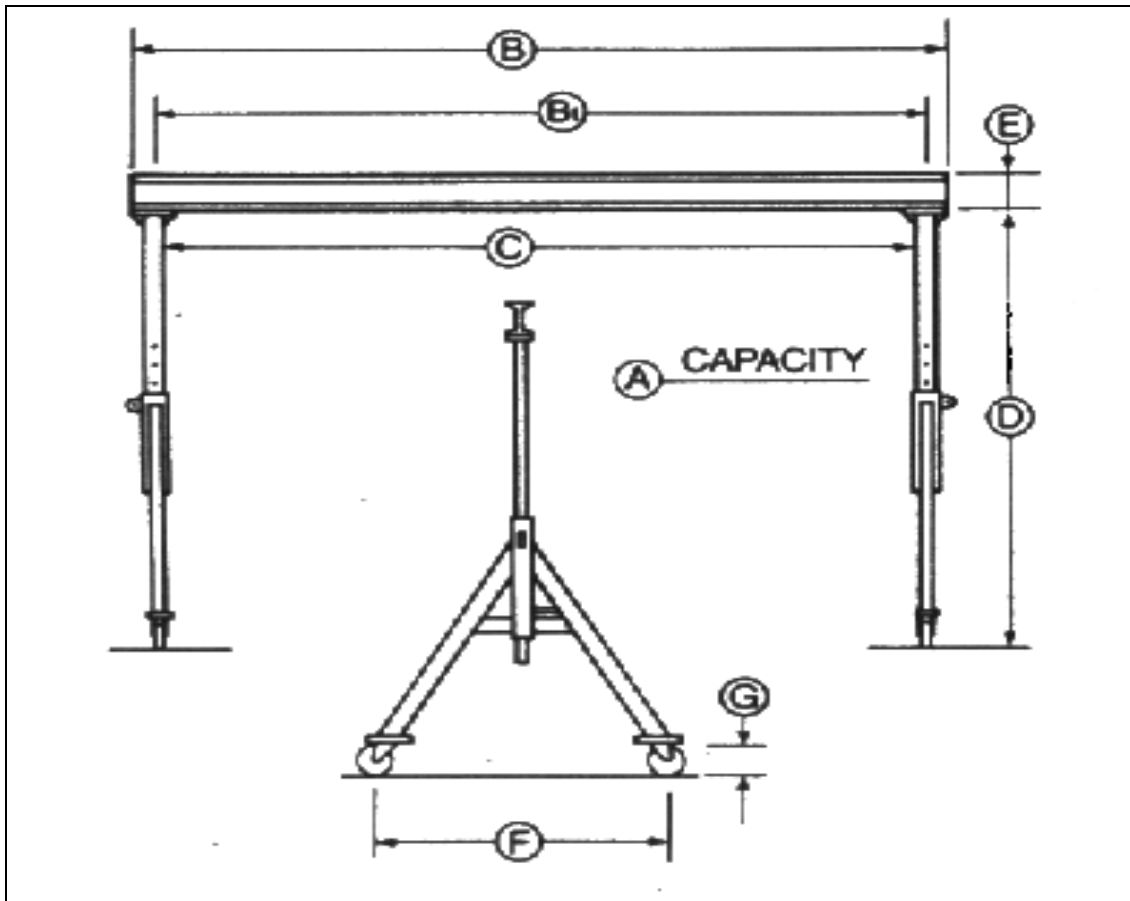


LIFTING GEAR HIRE CORPORATION

PHONE: 800-878-7305 FAX: 708-430-3536

www.lgh-usa.com

**10 TON ADJUSTABLE GANTRY
SPANCO A SERIES**



GANTRY DIMENSIONS (in.)

A	B	B1	C	D	E	F	G
10 Ton	10' - 40'	B - 11"	B - 17"	9'0" - 13'0" (or) 12'0" - 16'0"	*	6'6"	12"

GANTRY SPECIFICATIONS

Rated Load (lbs.)	Weight Legs (LBS.)	Height Under The Beam (D) Min / Max
20,000	1374 / 1510 #	9'0" 13'0" (or) 12'0" 16'0"

* = I-Beam Depth will vary depending on length of beam used