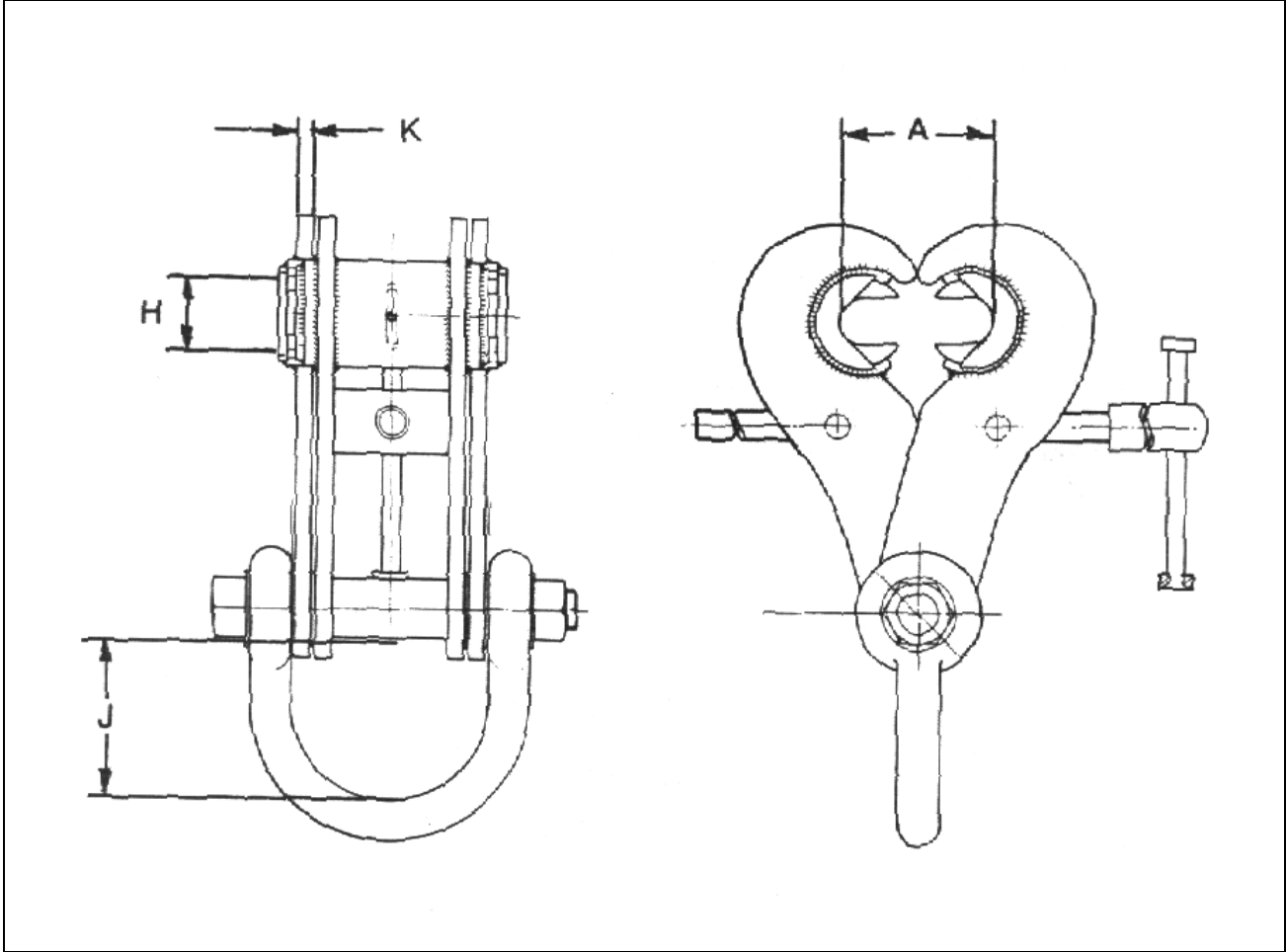




**LIFTING GEAR HIRE CORPORATION**  
**PHONE: 800-878-7305 FAX:708-430-3536**  
**www.lgh-usa.com**  
**5 TON BEAM CLAMPS**  
**SUPERCLAMP S6A**



**BEAM CLAMP DIMENSIONS (in.)**

A	H	J	K	Weight	S.W.L.
3.5" - 12"	1"	4.12"	.49"	33.5#	11,200 LBS.