

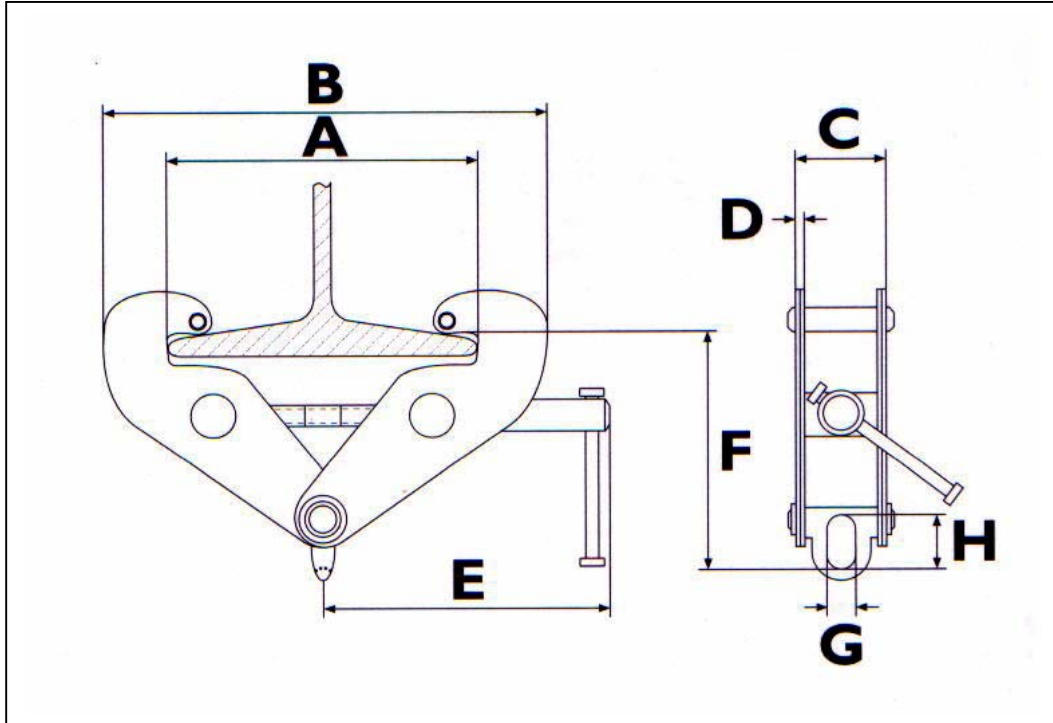


LIFTING GEAR HIRE CORPORATION

PHONE: 800-878-7305 FAX: 708-430-3536

www.lgh-usa.com

**3 TON BEAM CLAMPS
TRACTEL Model LT-3B**



BEAM CLAMP DIMENSIONS (in.)

A	B min	B min	C	D	E	F min	F max	G	H
14.2"	9.3"	13.9"	4.5"	.3"	10.8"	6.9"	9.8"	1.8"	2.4"

BEAM CLAMP SPECIFICATIONS

Weight	Rec. I-Beam	Model
24 lbs.	3.7" – 13.2"	LT-3B