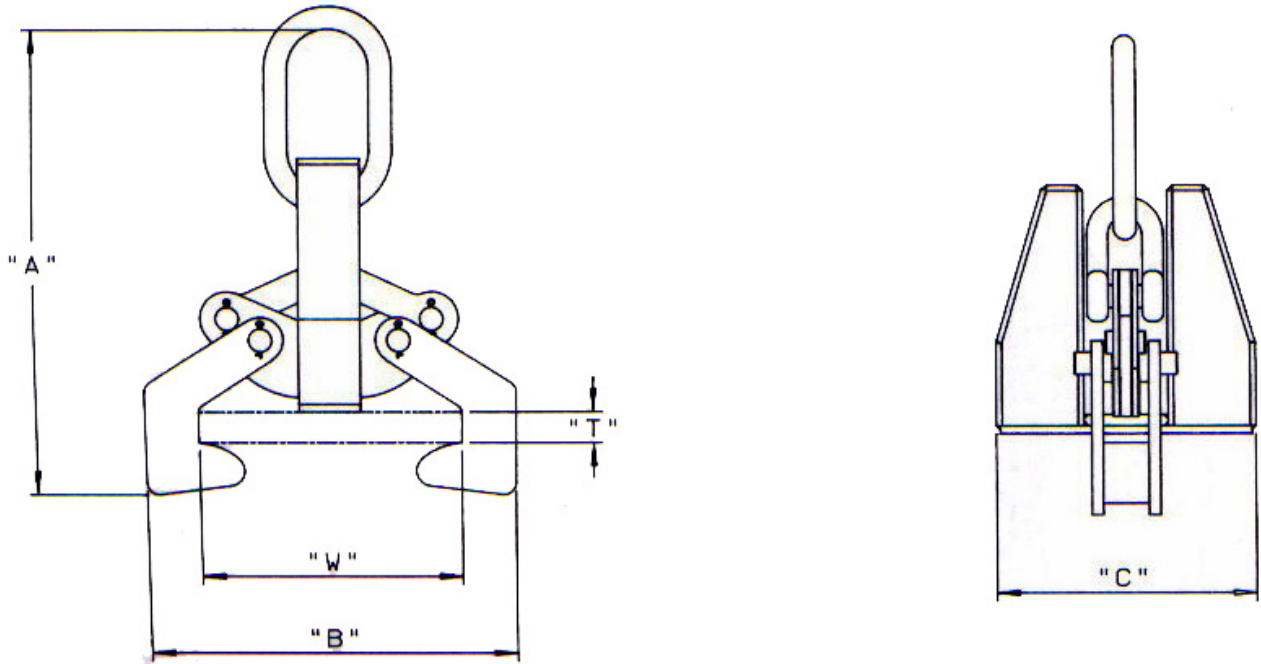




LIFTING GEAR HIRE CORPORATION
 PHONE: 800-878-7305 FAX: 708-430-3536
 www.lgh-usa.com
35 TON BEAM CLAMPS
CALDWELL F-35



BEAM CLAMP DIMENSIONS (in.)

A	B	C	W min	W max	T max
56"	53"	27.5"	16"	36"	4"

BEAM CLAMP SPECIFICATIONS

WLL	Flange Width	Flange Depth	Weight
35 ton	16" - 36"	4"	900 lbs.