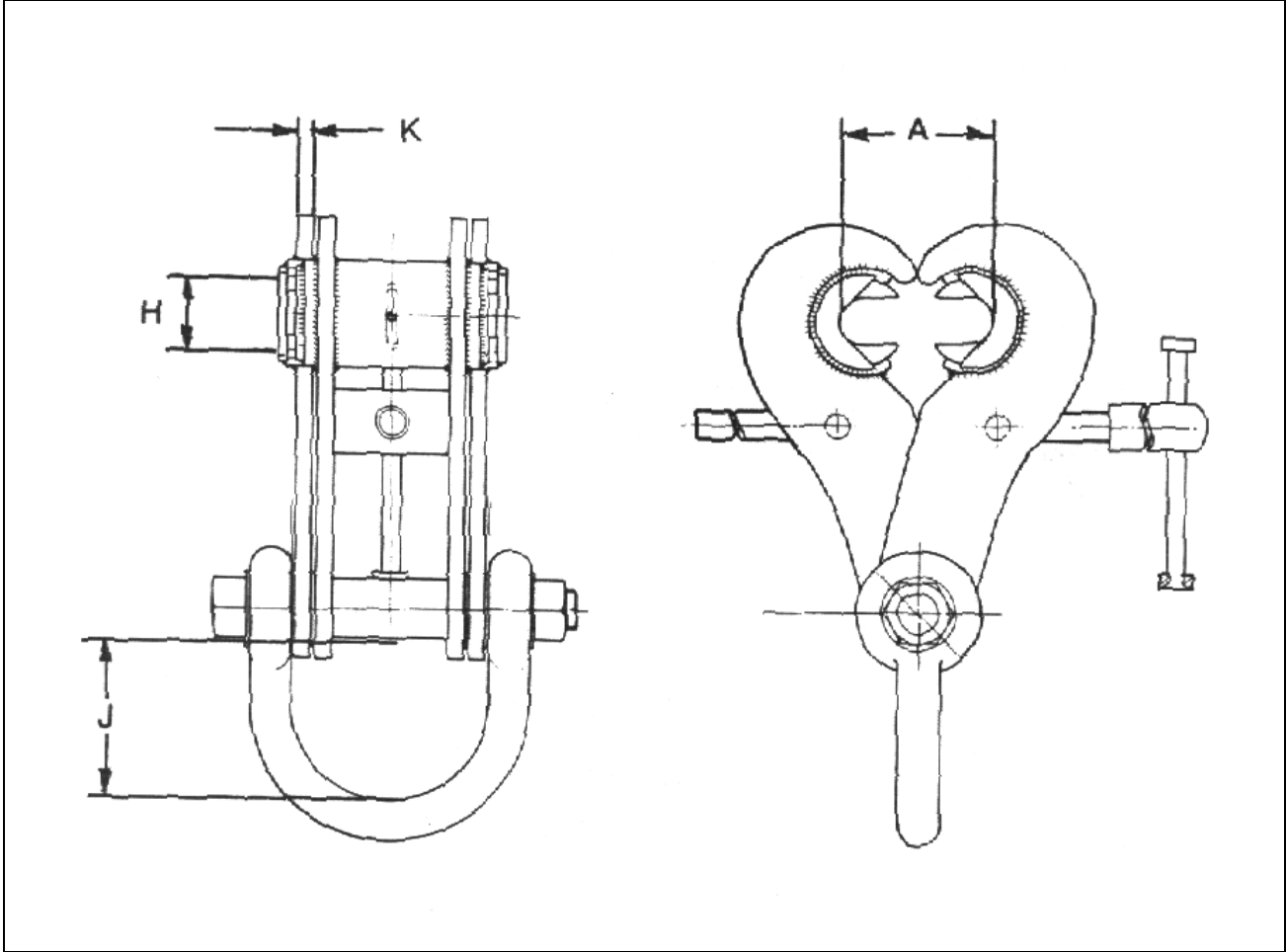




**LIFTING GEAR HIRE CORPORATION**  
**PHONE: 800-878-7305 FAX:708-430-3536**  
**www.lgh-usa.com**  
**25 TON BEAM CLAMPS**  
**SUPERCLAMP S18**



**BEAM CLAMP DIMENSIONS (in.)**

A	H	J	Weight	S.W.L.
16" - 24"	2 1/2"	8 5/8"	199#	56,000 LBS.