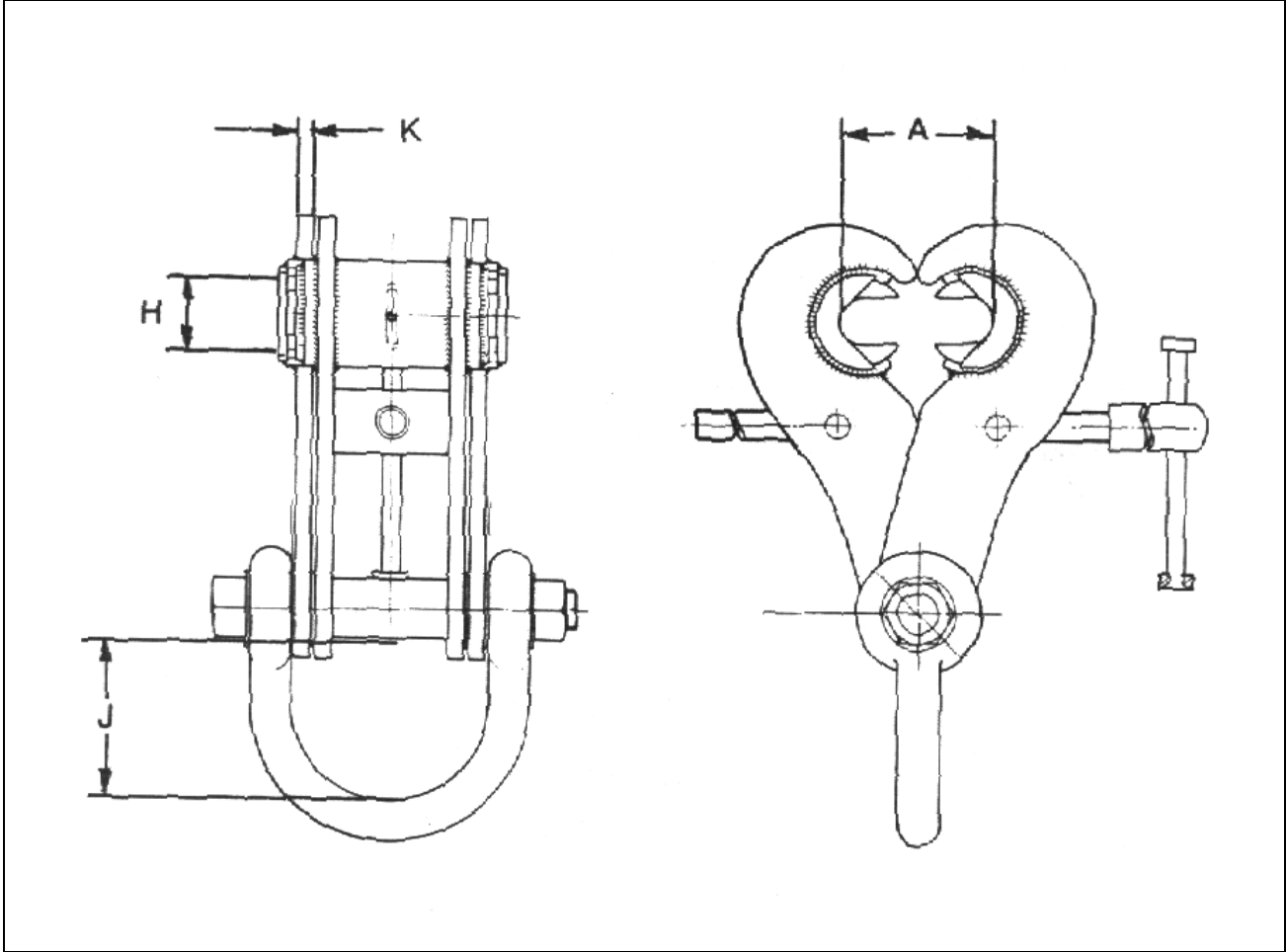




LIFTING GEAR HIRE CORPORATION
PHONE: 800-878-7305 FAX:708-430-3536
www.lgh-usa.com
25 TON BEAM CLAMPS
SUPERCLAMP S17



BEAM CLAMP DIMENSIONS (in.)

<u>A</u>	<u>H</u>	<u>J</u>	<u>Weight</u>	<u>S.W.L.</u>
8" - 18"	2"	8 5/8"	156#	56,000 LBS.