



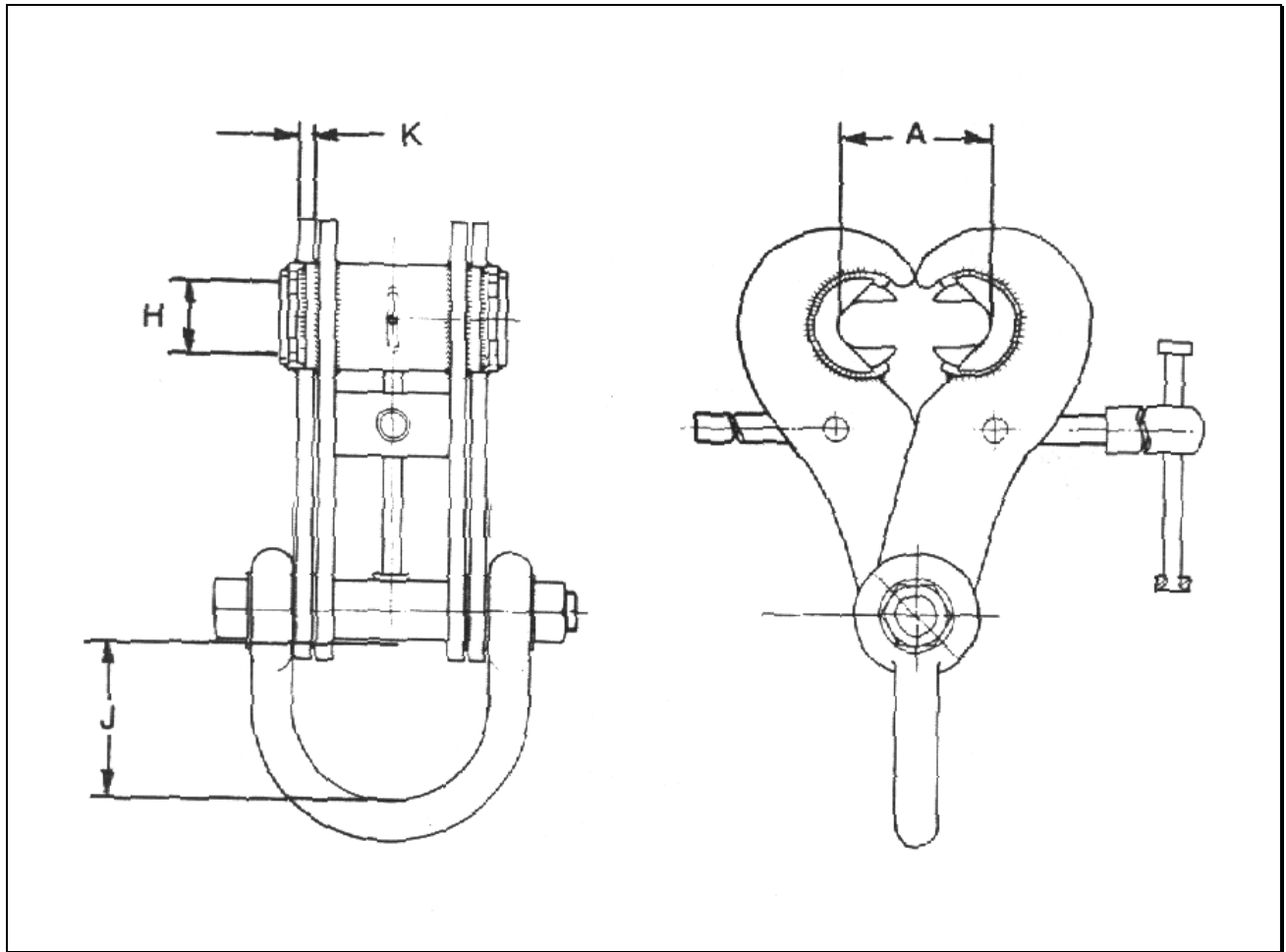
LIFTING GEAR HIRE CORPORATION

PHONE: 800-878-7305 FAX: 708-430-3536

www.lgh-usa.com

20 TON BEAM CLAMPS

SUPERCLAMP S16



BEAM CLAMP DIMENSIONS (in.)

<u>A</u>	<u>H</u>	<u>J</u>	<u>Weight</u>	<u>S.W.L.</u>
16" - 24"	2 1/2"	8 1/4"	175#	44,800 LBS.