



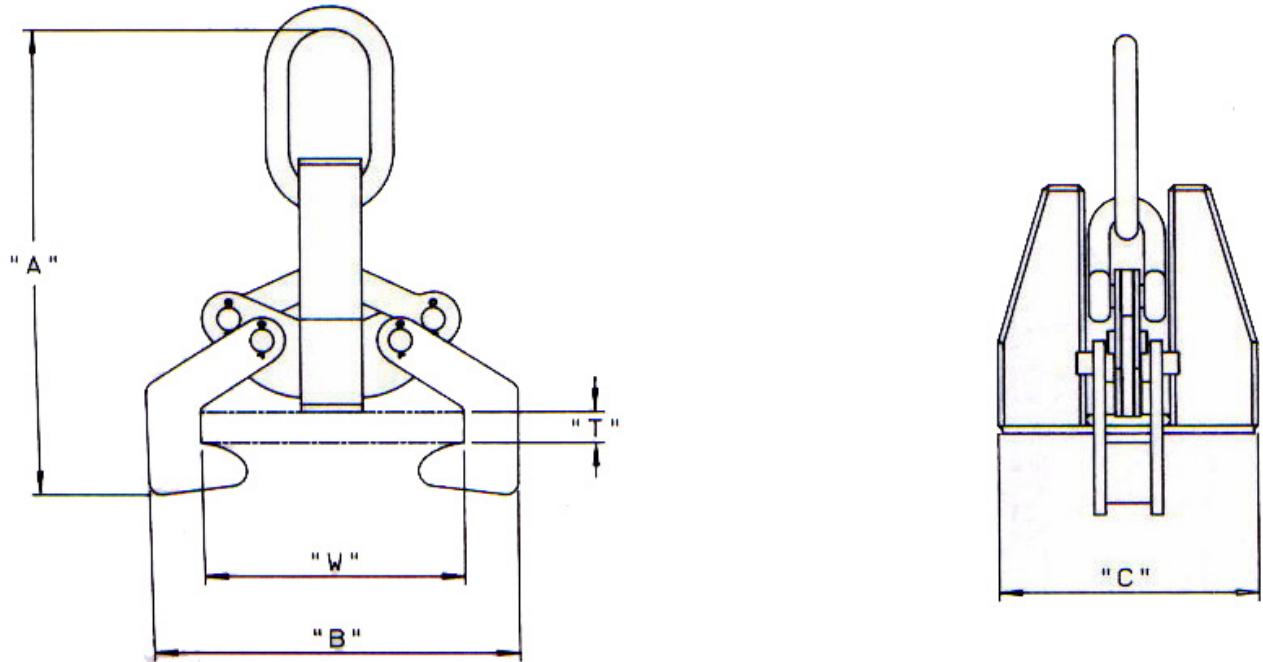
**LIFTING GEAR HIRE CORPORATION**

PHONE: 800-878-7305 FAX: 708-430-3536

www.lgh-usa.com

**15 TON BEAM CLAMPS**

**CALDWELL F-15**



**BEAM CLAMP DIMENSIONS (in.)**

A	B	C	W min	W max	T max
34.5"	75"	17"	7"	17"	2"

**BEAM CLAMP SPECIFICATIONS**

WLL	Flange Width	Flange Depth	Weight
15 ton	7" - 17"	2"	190 lbs.