



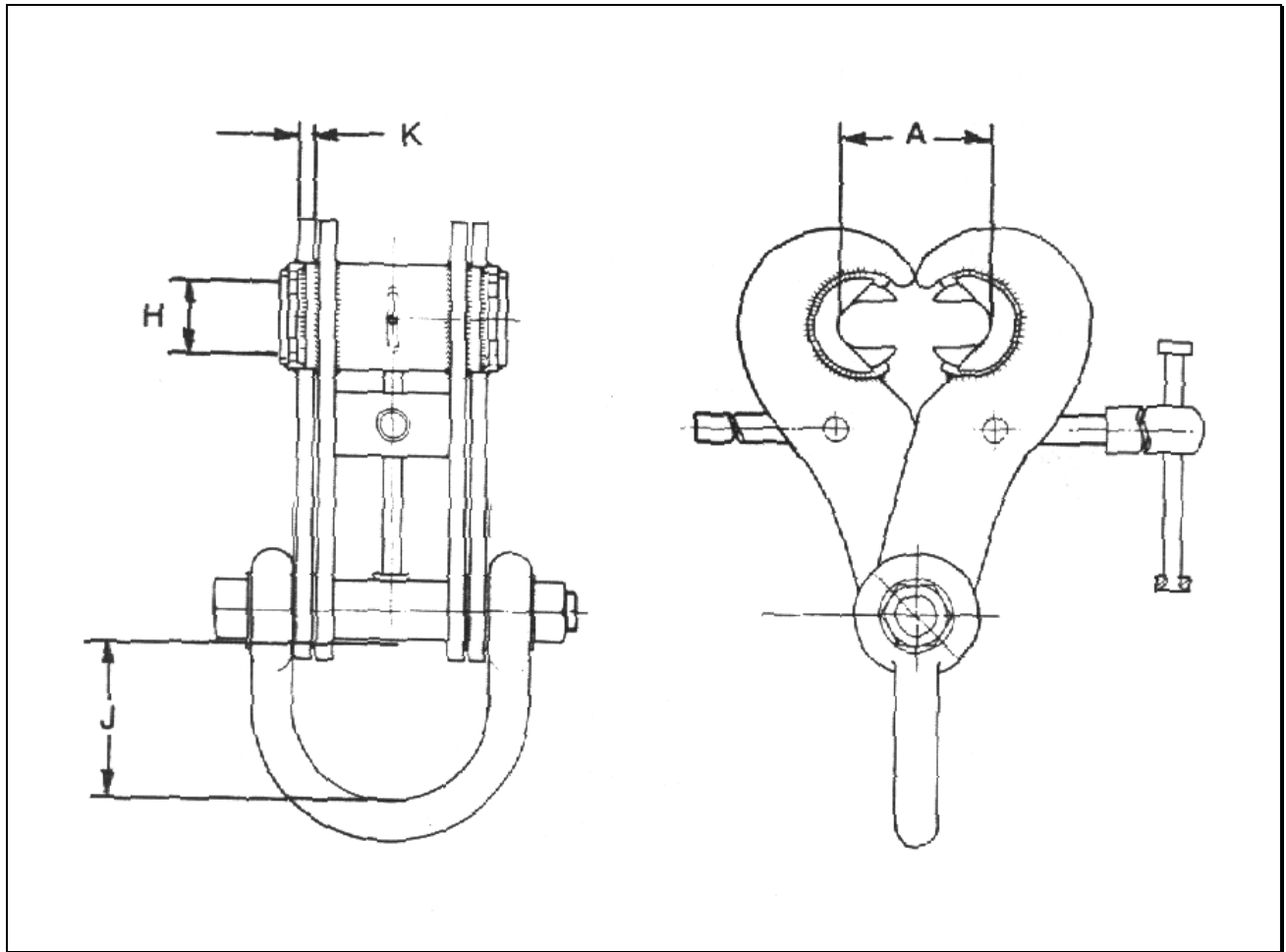
**LIFTING GEAR HIRE CORPORATION**

PHONE: 800-878-7305 FAX: 708-430-3536

www.lgh-usa.com

**15 TON BEAM CLAMPS**

**SUPERCLAMP S12**



**BEAM CLAMP DIMENSIONS (in.)**

A	H	J	Weight	S.W.L.
8" - 18"	2"	5 7/8"	118.4#	33,601 LBS.