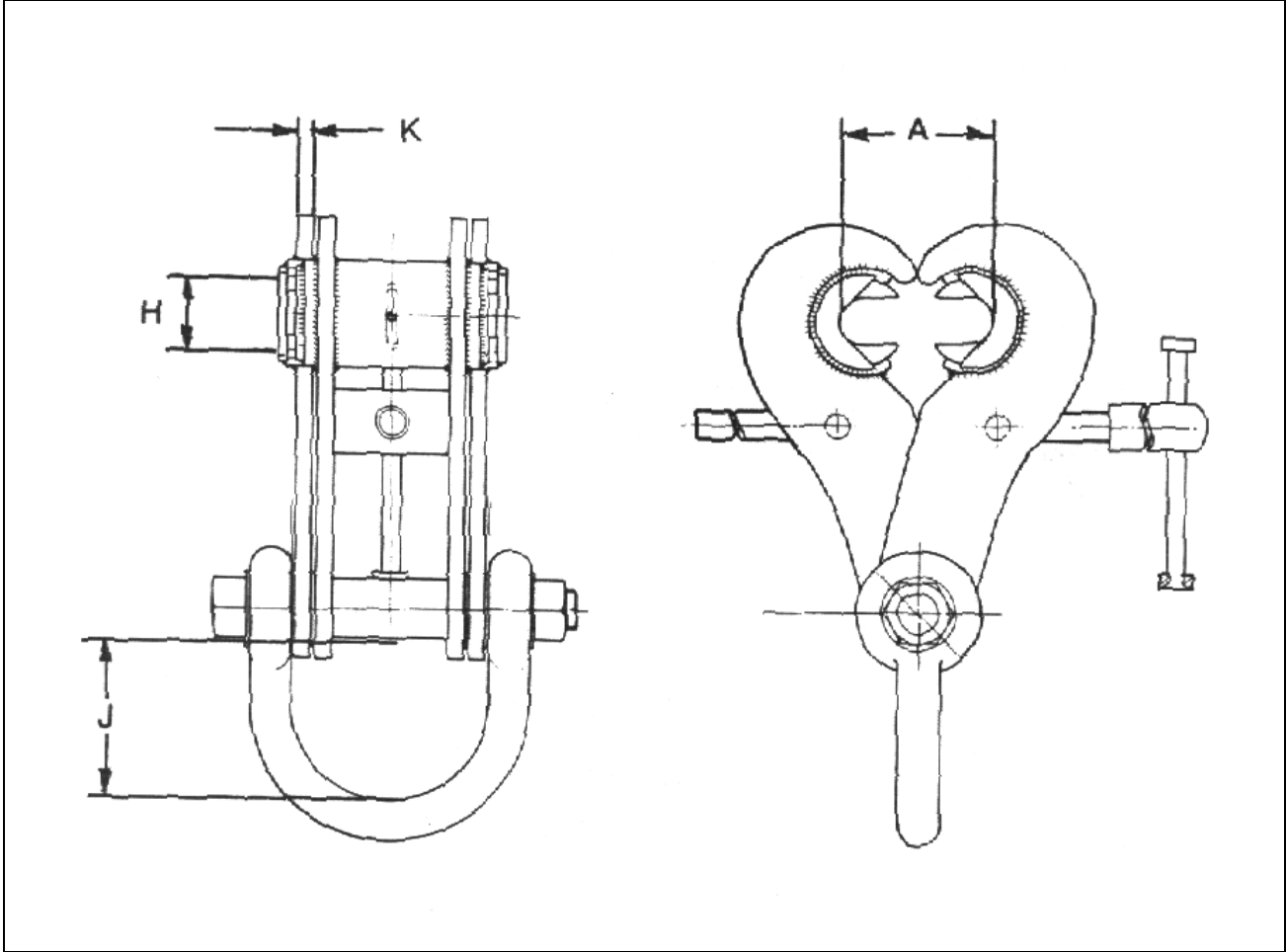




LIFTING GEAR HIRE CORPORATION
PHONE: 800-878-7305 FAX:708-430-3536
www.lgh-usa.com
10 TON BEAM CLAMPS
SUPERCLAMP S11



BEAM CLAMP DIMENSIONS (in.)

A	H	J	K	Weight	S.W.L.
3.5" - 12"	1"	5.12"	.79"	45.4#	22,400 LBS.