



**LIFTING GEAR HIRE CORPORATION**

PHONE: 800-878-7305 FAX: 708-430-3536

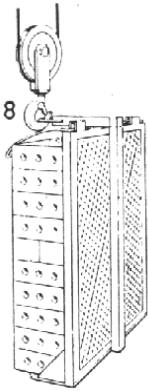
www.lgh-usa.com

**ROOF HOIST ACCESSORIES**

RIEMANN GEORGER / BETAMAX

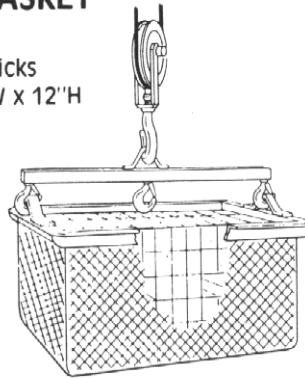
**BRICK FORK**

400 lb. cap.  
100 - 4 lb. brick  
Max brick size 2.75 x 3 x 8  
8" L x 31" W x 38" H



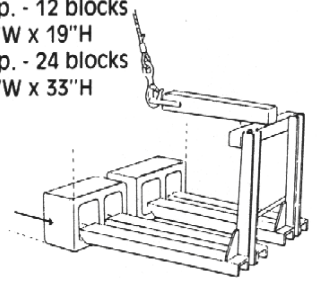
**BRICK BASKET**

200 lb. cap.  
50 - 4 lb. bricks  
30" L x 20" W x 12" H



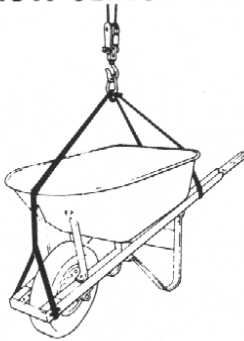
**BLOCK FORK**

2 sizes available. For lifting standard  
8" x 8" x 16" wall block.  
500 lb. cap. - 12 blocks  
25" L x 25" W x 19" H  
800 lb. cap. - 24 blocks  
25" L x 25" W x 33" H



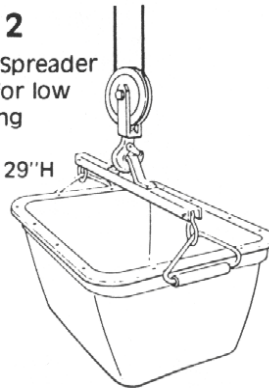
**WHEELBARROW SLING**

Fits standard  
wheelbarrows.  
400 lb. cap.



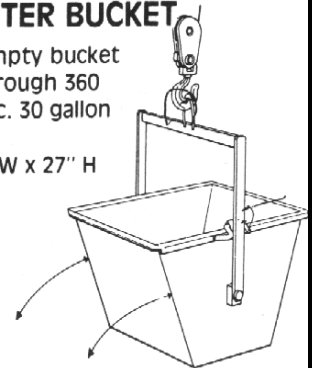
**MUD TUB 2**

1/4 yard cap. Spreader  
bar included for low  
clearance lifting  
needs.  
40" L x 28" W x 29" H



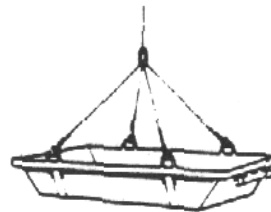
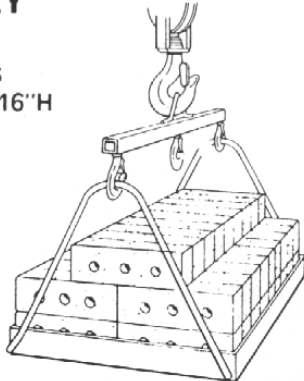
**DUMPSTER BUCKET**

Easy to empty bucket  
swivels through 360  
degree arc. 30 gallon  
cap.  
27" L x 25" W x 27" H



**BRICK TRAY**

150 lb. cap.  
33 - 4 lb. bricks  
28" L x 20" W x 16" H



Trash Tray

**TRASH TRAYS**

Ideal for tear-off debris.  
1200 lb. load capacity. Weight  
160 lbs. Overall dimensions  
90 in. x 40 in. x 13 in.