

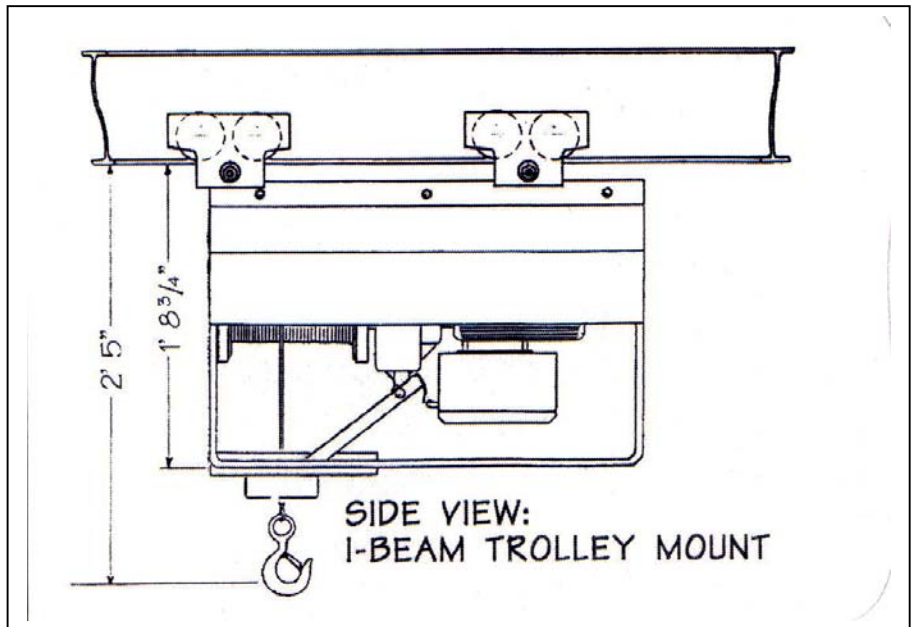
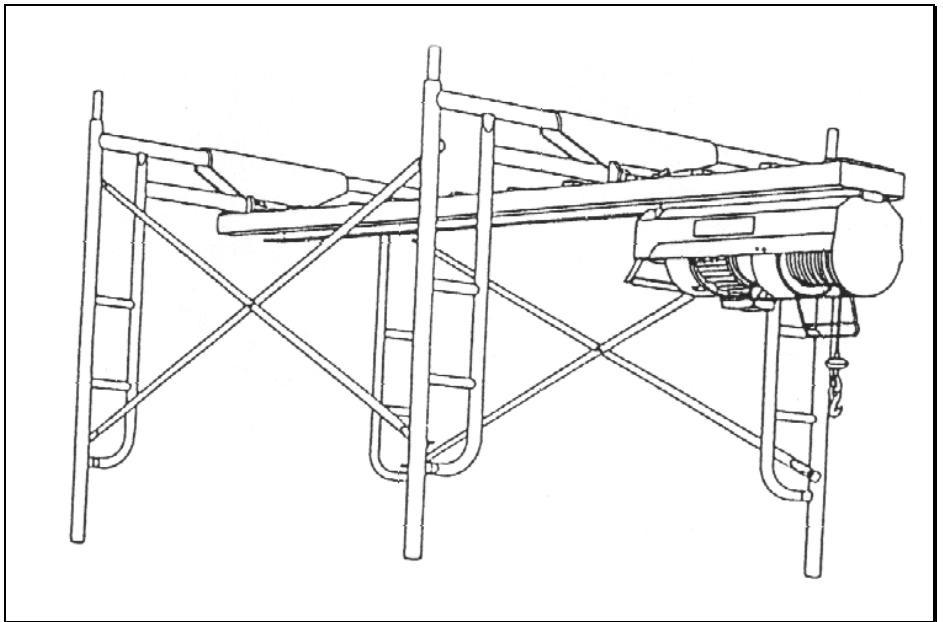


LIFTING GEAR HIRE CORPORATION

PHONE: 800-878-7305

FAX: 708-430-3536

**2,000 or 1,000 LBS.
BUILDERS HOIST
BETAMAX
LEO**



BUILDERS HOIST SPECIFICATIONS

Rated Load (lbs.) 2,000 or 1,000	Hoisting Speed (fpm) 40' or 80'	Maximum Cable Supplied (1/4") 110' or 220'	Scaff Trac Weight N/A	Hoist Weight 220 lbs.
AC Power 220 Volt (1 phase) or (3 phase)	Boom Overhang 3.5'	No. of Lines 2 or 1	Counterweight Req. 2,000#	