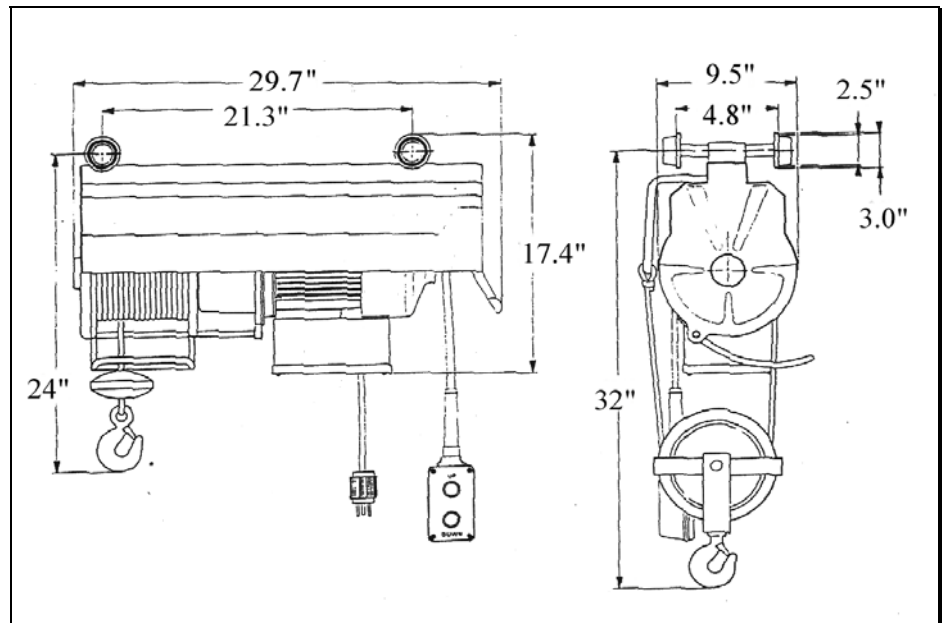
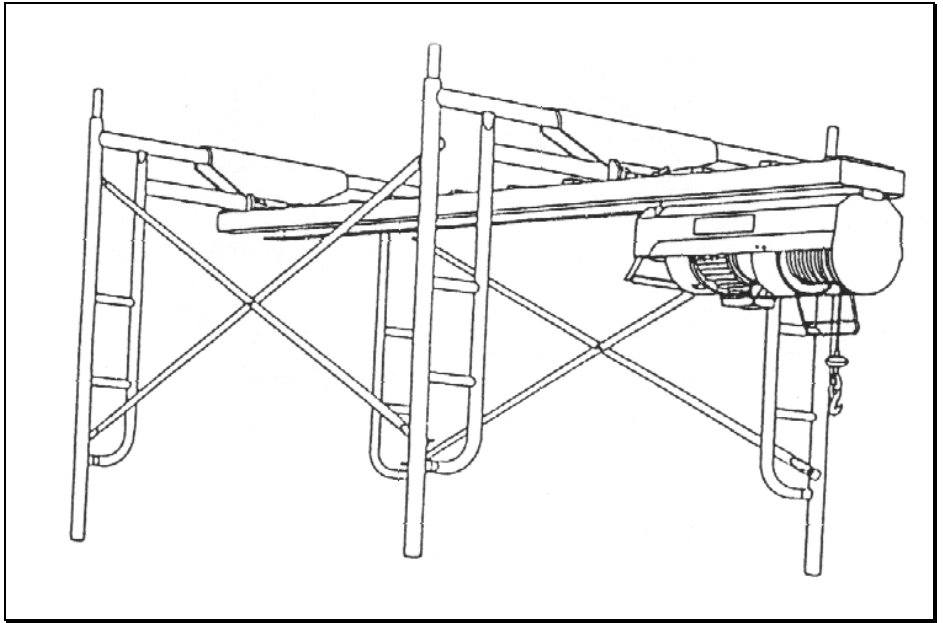




LIFTING GEAR HIRE CORPORATION

**PHONE: 800-878-7305
FAX: 708-430-3536**

**600 LBS.
BUILDERS
HOIST
BETAMAX
NEW YORKER**



BUILDERS HOIST SPECIFICATIONS

Rated Load (lbs.) 600	Hoisting Speed (fpm) 80'	Maximum Cable Supplied (1/4") 350'	Scaff Trac Weight 135 lbs.	Hoist Weight 155 lbs.
AC Power 220 Volt / 12 AMP	Boom Overhang 3.5'	No. of Lines 1	Counterweight Req. 600#	