



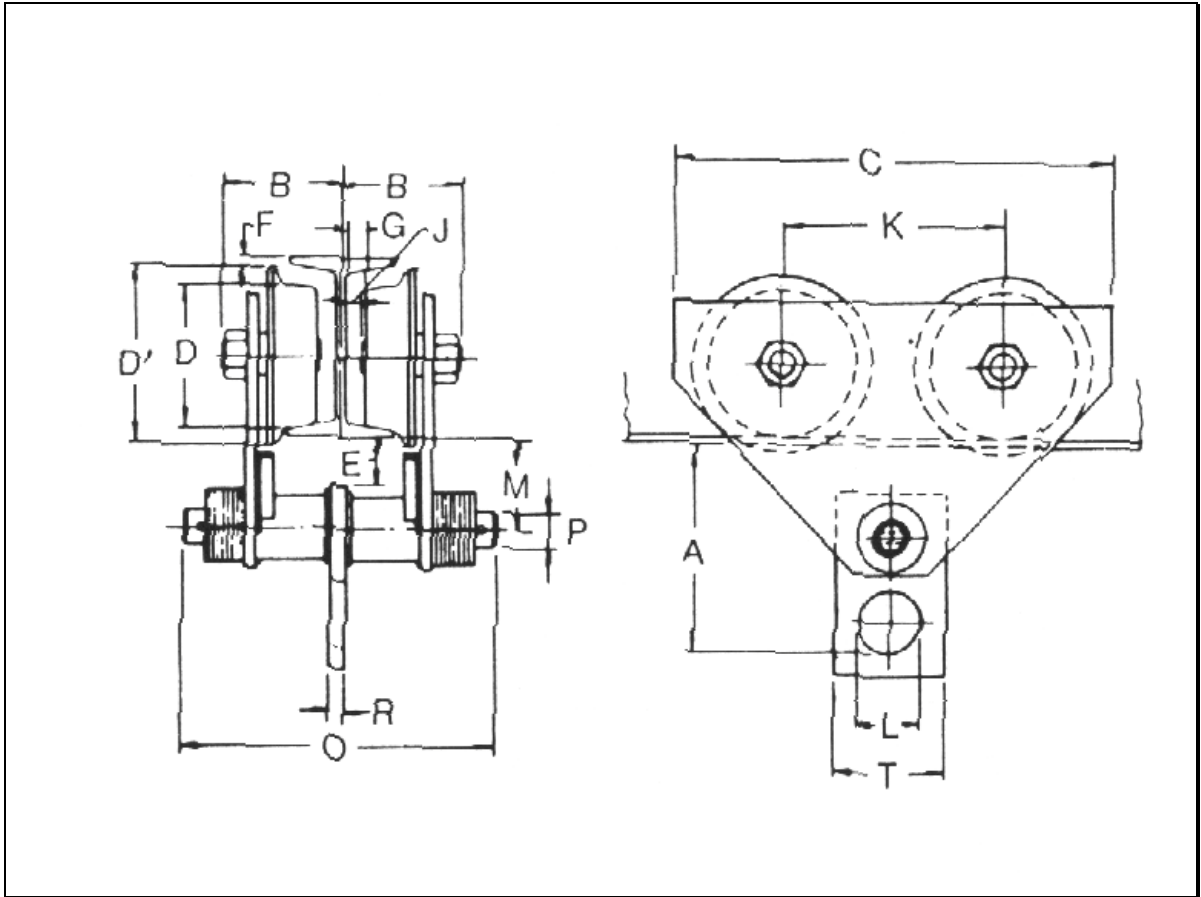
LIFTING GEAR HIRE CORPORATION

PHONE: 800-878-7305 FAX: 708-430-3536

www.lgh-usa.com

5 TON PUSH TROLLEY

YALE FTP



TROLLEY DIMENSIONS (in.)

A	B	B'	C	D	D'	E	F	G	J	K	L	M	N	O	P	R	T	Y
9"	4.87"	-	16.75"	6"	7.37"	1.25"	1"	.62"	.62"	9"	2.75"	3.62"	-	12.25"	2"	.87"	5"	7"

TROLLEY SPECIFICATIONS

Rated Load (lbs.)	Weight with (lbs.)	Standard Trolley Flange Adj.	Min. Radius Curve	Direct Push to move Capacity Load
10000	140#	4" - 7"	5'0"	57 lbs