



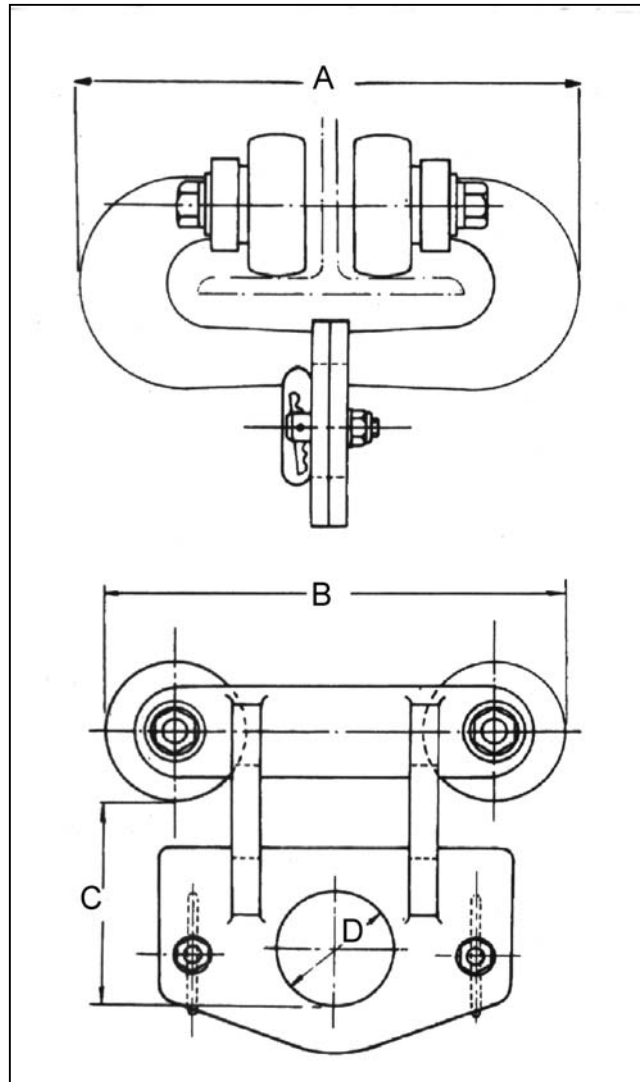
**LIFTING GEAR HIRE CORPORATION**

PHONE: 800-878-7305 FAX: 708-430-3536

www.lgh-usa.com

**3 TON BEAM TROLLEY**

**Riggers Model**



**BEAM TROLLEY DIMENSIONS (in.)**

A	B	C	Weight	S.W.L.	Flange Size
13.51"	10.24"	4.76"	38#	6,000 LBS.	3" - 8"