



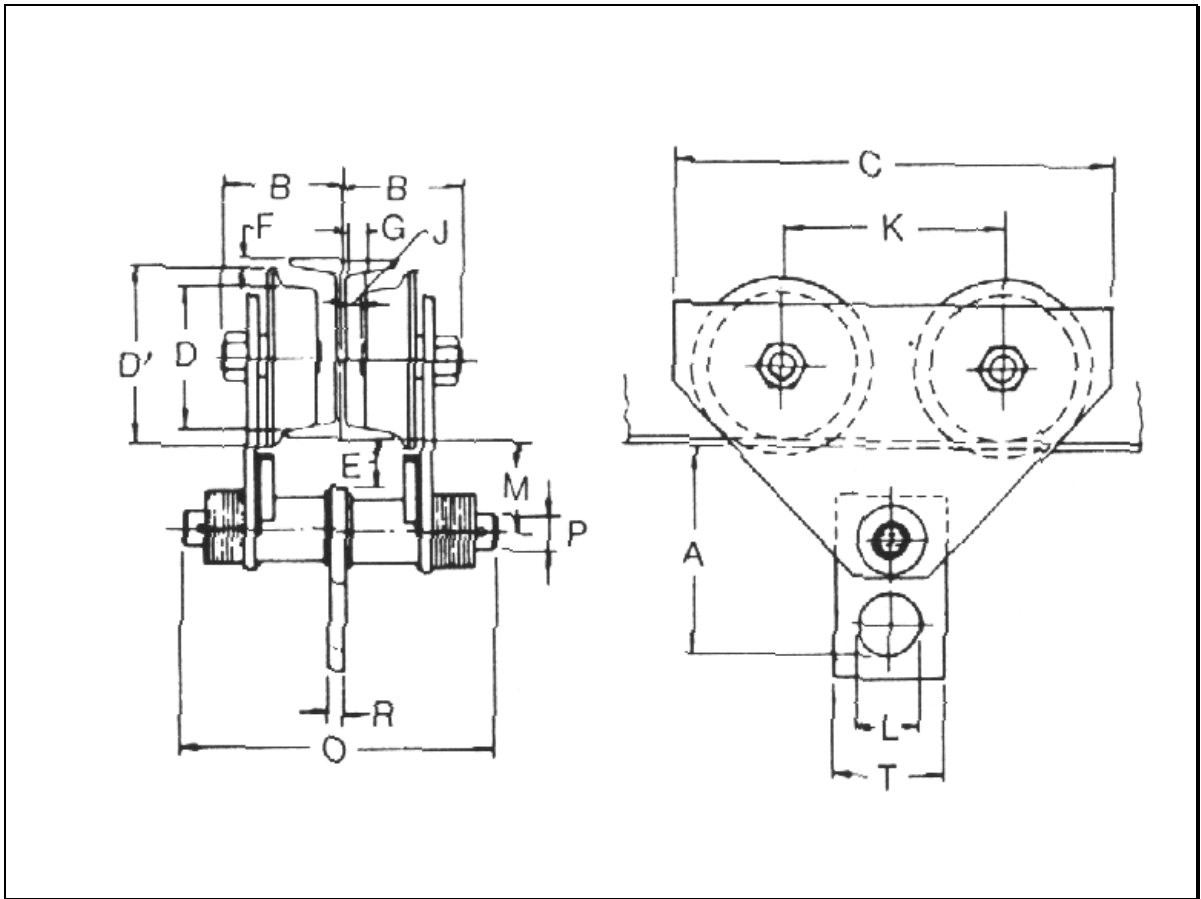
LIFTING GEAR HIRE CORPORATION

PHONE: 800-878-7305 FAX: 708-430-3536

www.lgh-usa.com

20 TON PUSH TROLLEY

YALE FTP



TROLLEY DIMENSIONS (in.)

A	B	B'	C	D	D'	E	F	G	J	K	L	M	N	O	P	R	T	Y
17.37"	7.56"	-	26.75"	12.37"	7.56"	1.37"	6.2"	.87"	.87"	13.7"	5.5"	5.6"	-	15.5"	3.4"	1.25"	10"	-

TROLLEY SPECIFICATIONS

Rated Load (lbs.) 40000	Weight with (lbs.) 870#	Standard Trolley Flange Adj. 6" - 8"	Min. Radius Curve 8'0"	Direct Push to move Capacity Load 158 lbs
-------------------------------	-------------------------------	--	------------------------------	---