



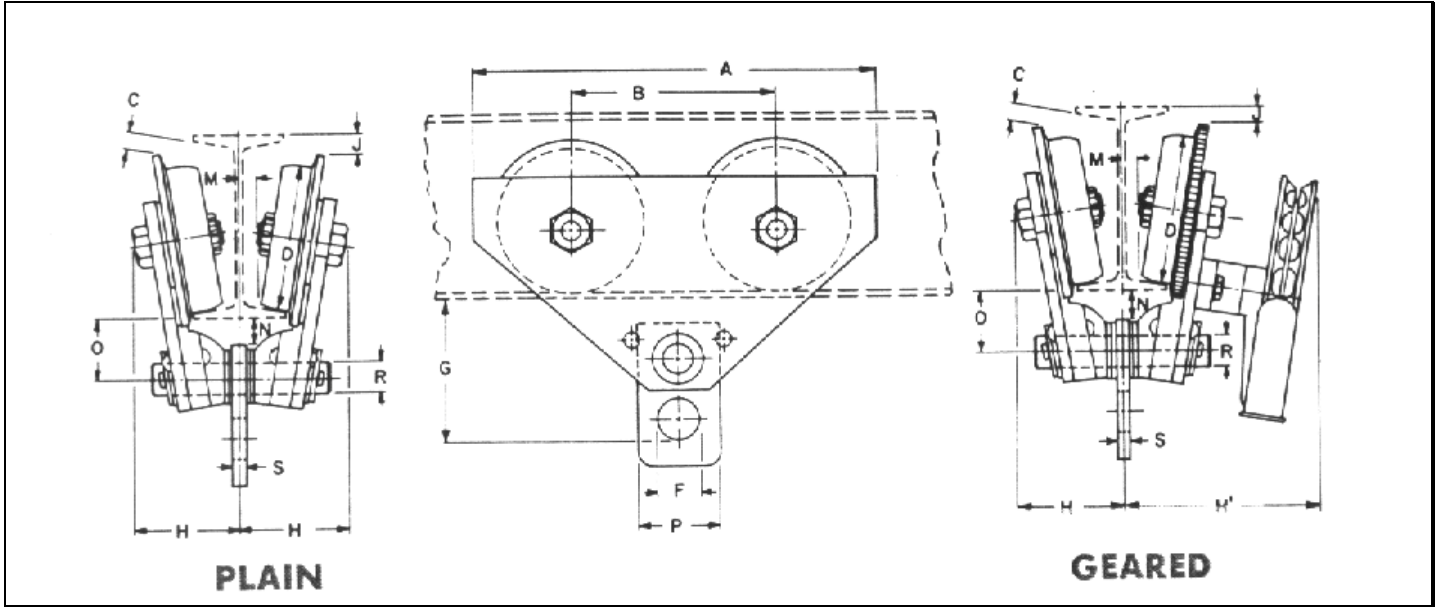
LIFTING GEAR HIRE CORPORATION

PHONE: 800-878-7305 FAX: 708-430-3536

www.lgh-usa.com

20 TON GEAR TROLLEY

CHESTER PT



TROLLEY DIMENSIONS (in.)

A	B	C	D	F	G	H	J	M	N	O	P	R	S	H'
28.25"	14"	5"	11.75"	4"	16.12"	10"	5.25"	1.12"	2"	5.37"	10"	3.25"	1.75"	17.5"

TROLLEY SPECIFICATIONS

Rated Load (lbs.)	Weight with (lbs.)	Standard Trolley Flange Adj.	Min. Radius Curve	Pull Chain to move Capacity Load
40000	955#	6" - 8"	96"	94 lbs