



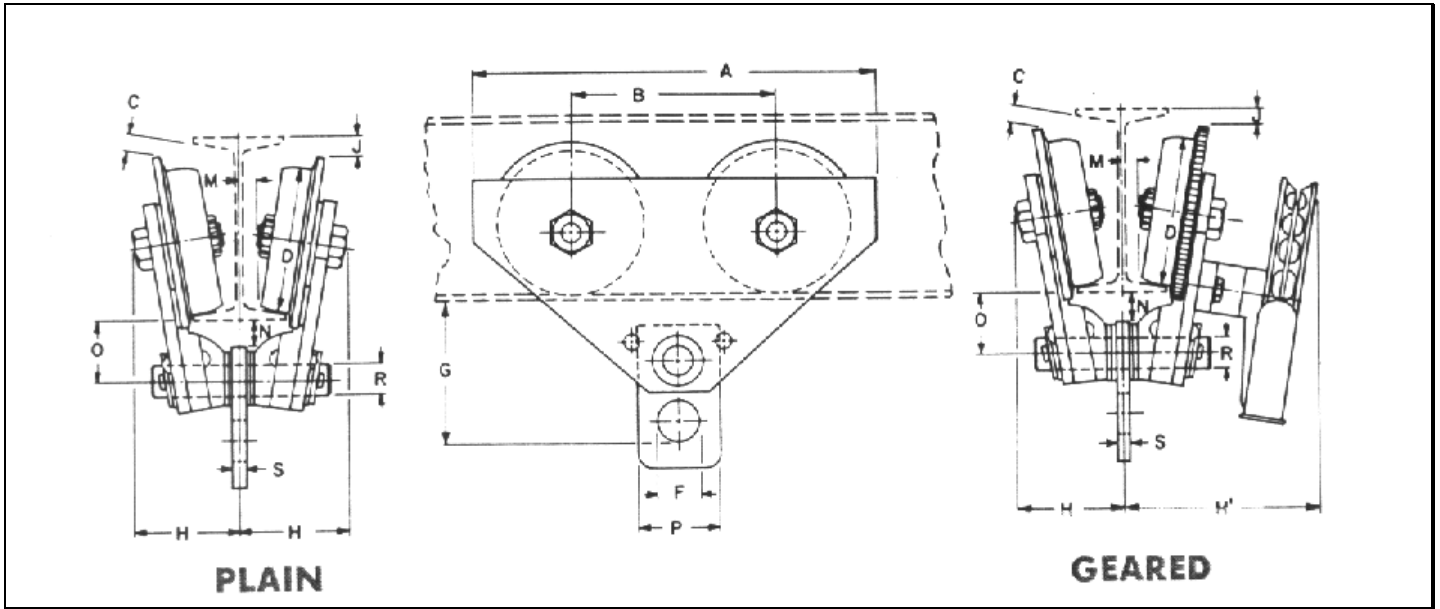
LIFTING GEAR HIRE CORPORATION

PHONE: 800-878-7305 FAX: 708-430-3536

www.lgh-usa.com

20 TON PUSH TROLLEY

CHESTER PT



TROLLEY DIMENSIONS (in.)

| A | B | C | D | F | G | H | J | M | N | O | P | R | S | H' |
|--------|-----|----|--------|----|--------|-----|-------|-------|----|-------|-----|-------|-------|----|
| 28.25" | 14" | 5" | 11.75" | 4" | 16.12" | 10" | 5.25" | 1.12" | 2" | 5.37" | 10" | 3.25" | 1.75" | - |

TROLLEY SPECIFICATIONS

| Rated Load (lbs.) | Weight with (lbs.) | Standard Trolley Flange Adj. | Min. Radius Curve | Direct Push to move Capacity Load |
|----------------------|-----------------------|---------------------------------|----------------------|--------------------------------------|
| 40000 | 845# | 6" - 8" | 96" | 156 lbs |