



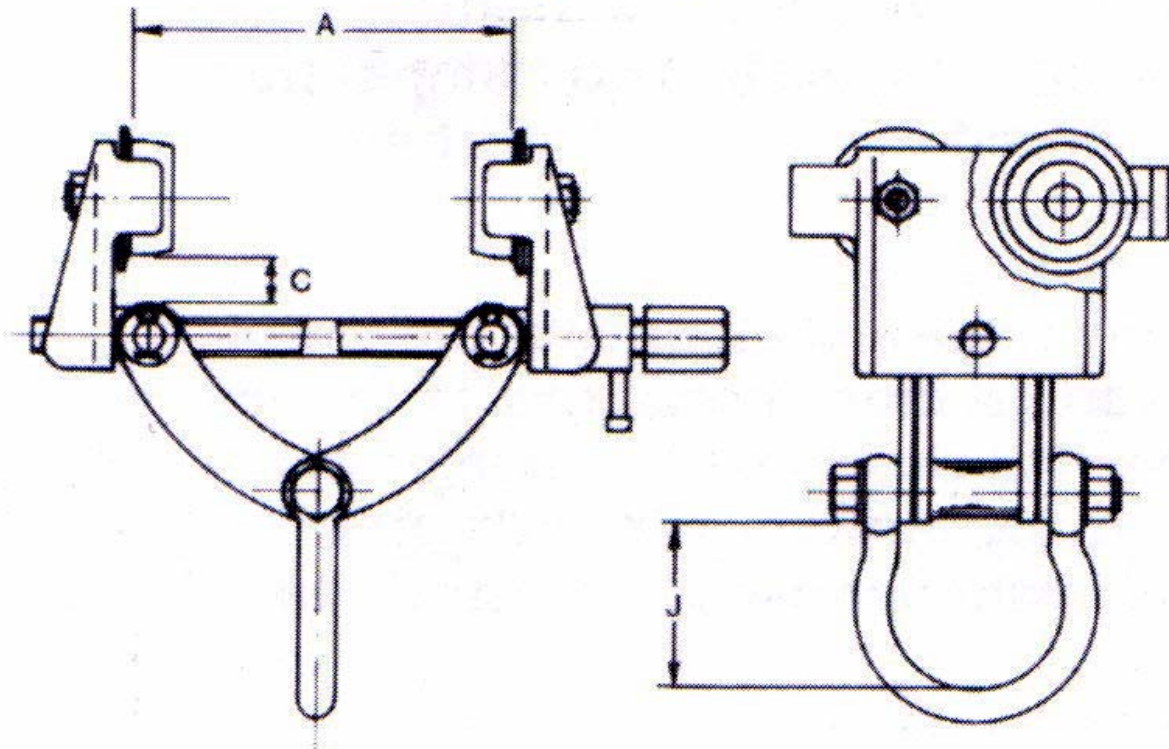
LIFTING GEAR HIRE CORPORATION

PHONE: 800-878-7305 FAX: 708-430-3536

1 TON BEAM TROLLEY

RILEY SUPERCLAMP BA1

BA1, BA2, BA3,



BEAM TROLLEY DIMENSIONS (in.)

<u>A</u>	<u>C</u>	<u>J</u>	<u>Weight</u>	<u>S.W.L.</u>	<u>Flange Size</u>
2.5" - 8"	1"	3 1/2"	14.3#	2,240 LBS.	2.5" - 8"