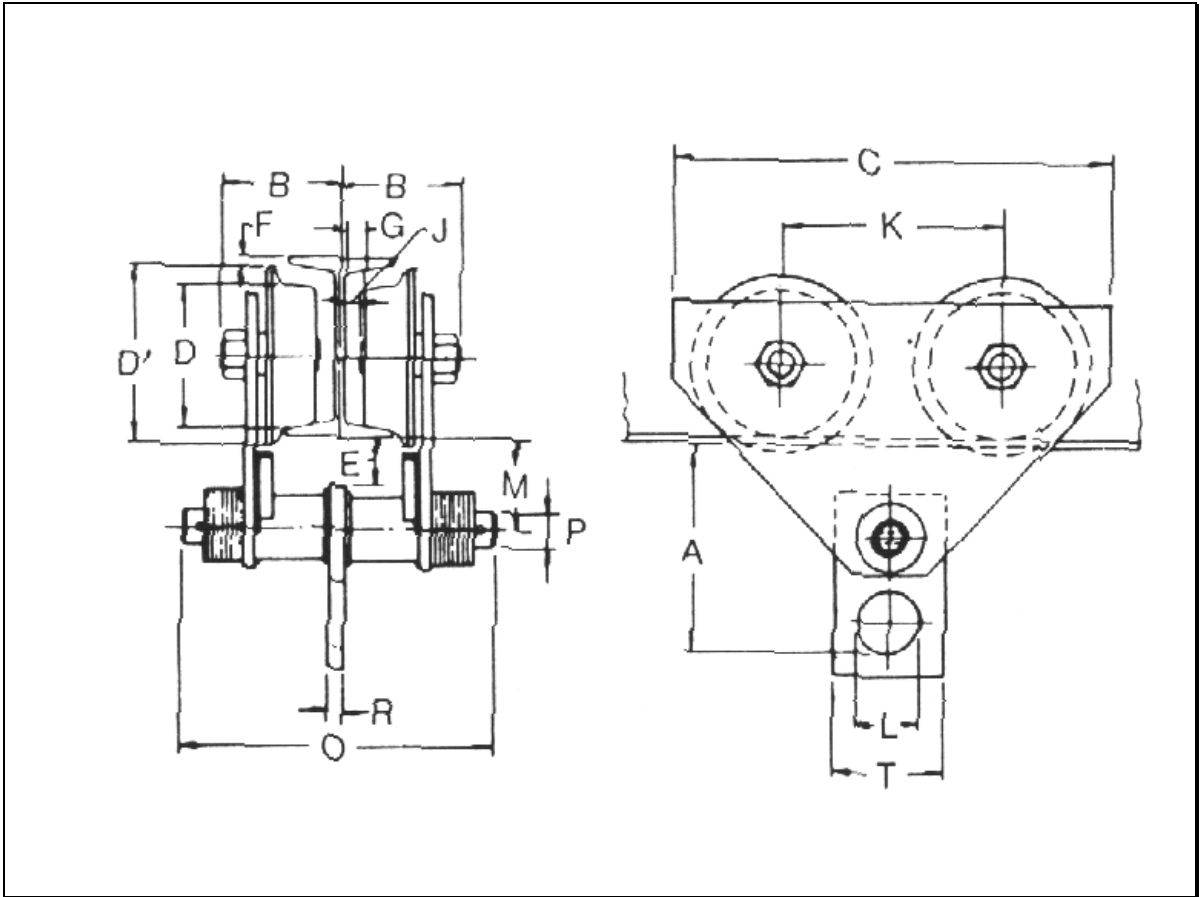




LIFTING GEAR HIRE CORPORATION
PHONE: 800-878-7305 FAX: 708-430-3536
www.lgh-usa.com
10 TON PUSH TROLLEY
YALE FTP



TROLLEY DIMENSIONS (in.)

A	B	B'	C	D	D'	E	F	G	J	K	L	M	N	O	P	R	T	Y
11.43"	5.87"	-	21.5"	8"	9.87"	1.25"	.75"	.62"	.56"	11.3"	4.25"	4.06"	-	13.8"	2.5"	.87"	7"	7"

TROLLEY SPECIFICATIONS

Rated Load (lbs.) 20000	Weight with (lbs.) 274#	Standard Trolley Flange Adj. 4.66" - 7"	Min. Radius Curve 6'0"	Direct Push to move Capacity Load 100 lbs
-------------------------------	-------------------------------	---	------------------------------	---