



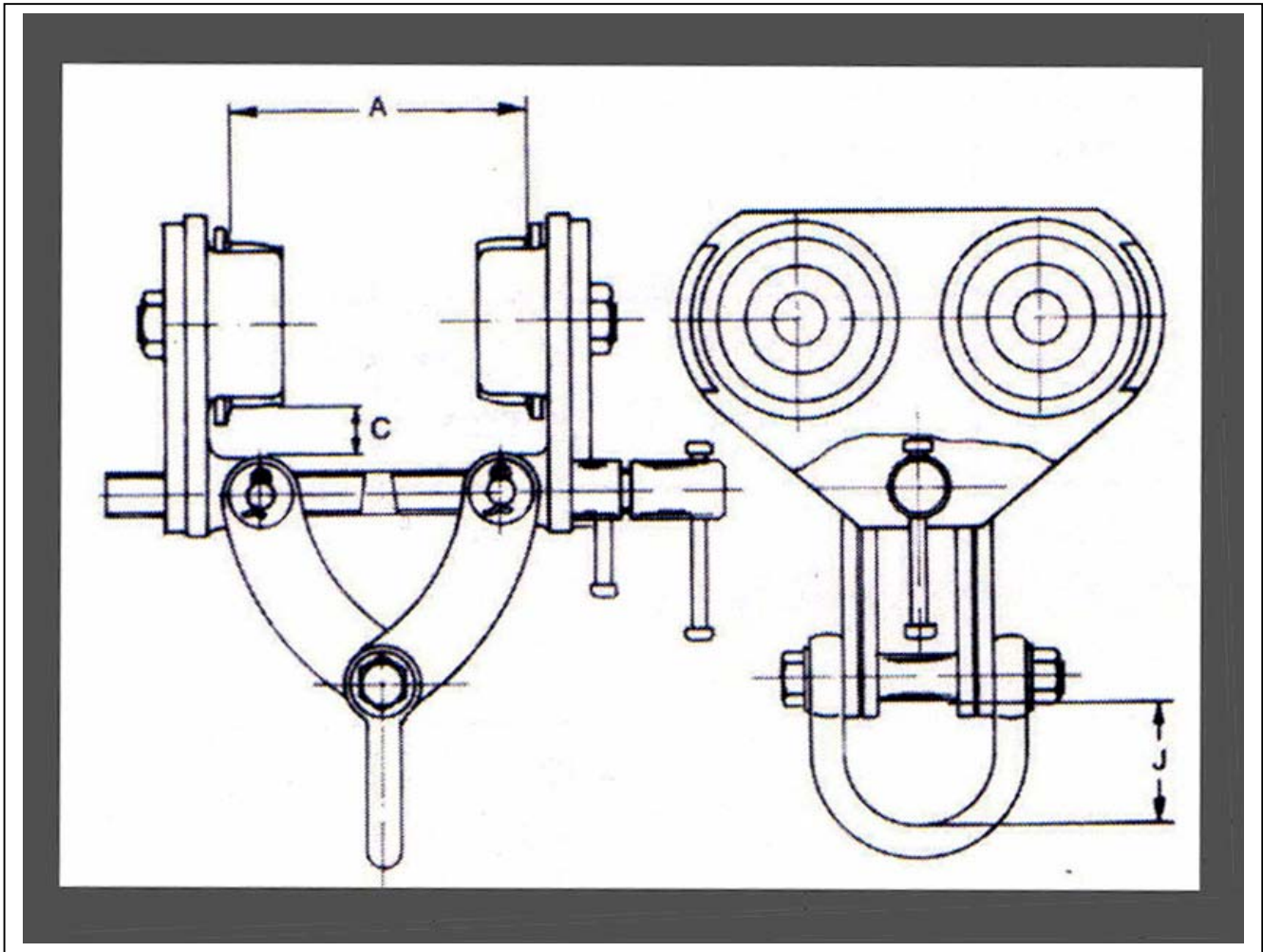
LIFTING GEAR HIRE CORPORATION

PHONE: 800-878-7305 FAX: 708-430-3536

www.lgh-usa.com

10 TON BEAM TROLLEY

RILEY SUPERCLAMP B3



BEAM TROLLEY DIMENSIONS (in.)

<u>A</u>	<u>C</u>	<u>J</u>	<u>Weight</u>	<u>S.W.L.</u>	<u>Flange Size</u>
6 1/4" - 12"	1 1/2"	5 1/8"	158.7#	22,400 LBS.	6 1/4" - 12"