



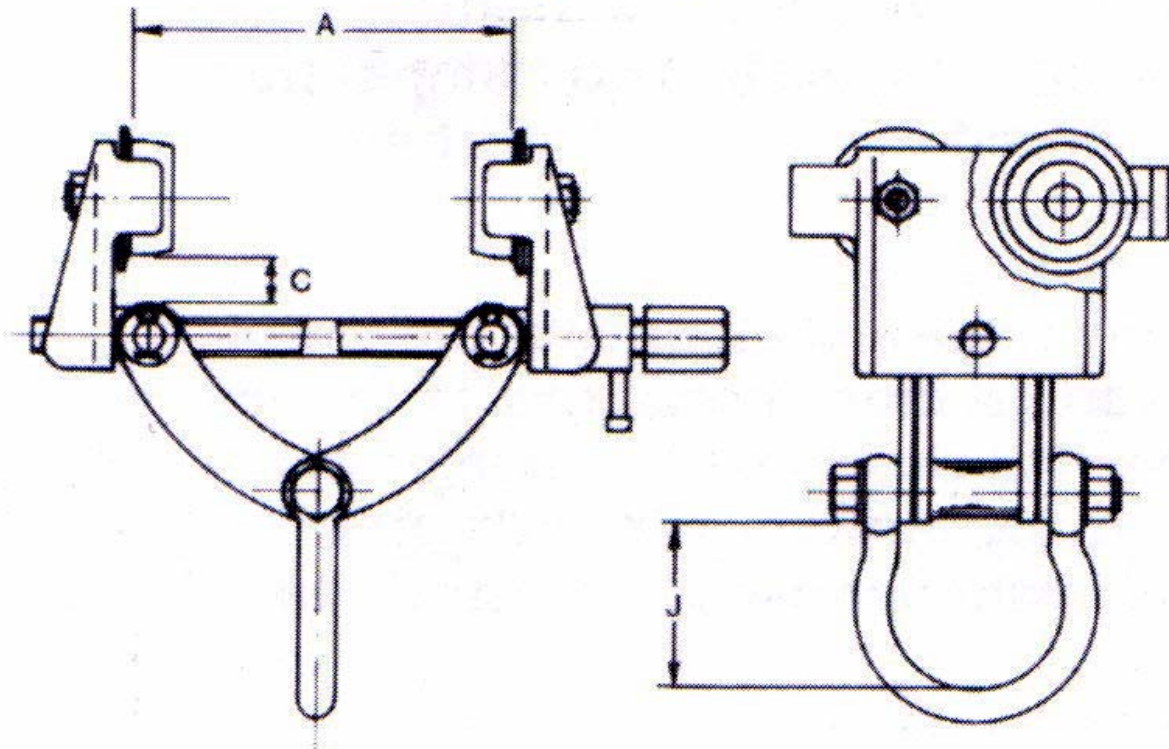
LIFTING GEAR HIRE CORPORATION

PHONE: 800-878-7305 FAX: 708-430-3536

1.5 TON BEAM TROLLEY

RILEY SUPERCLAMP BA2

BA1, BA2, BA3,



BEAM TROLLEY DIMENSIONS (in.)

<u>A</u>	<u>C</u>	<u>J</u>	<u>Weight</u>	<u>S.W.L.</u>	<u>Flange Size</u>
3" - 8"	1"	3 1/2"	15.9#	3,360 LBS.	3" - 8"