



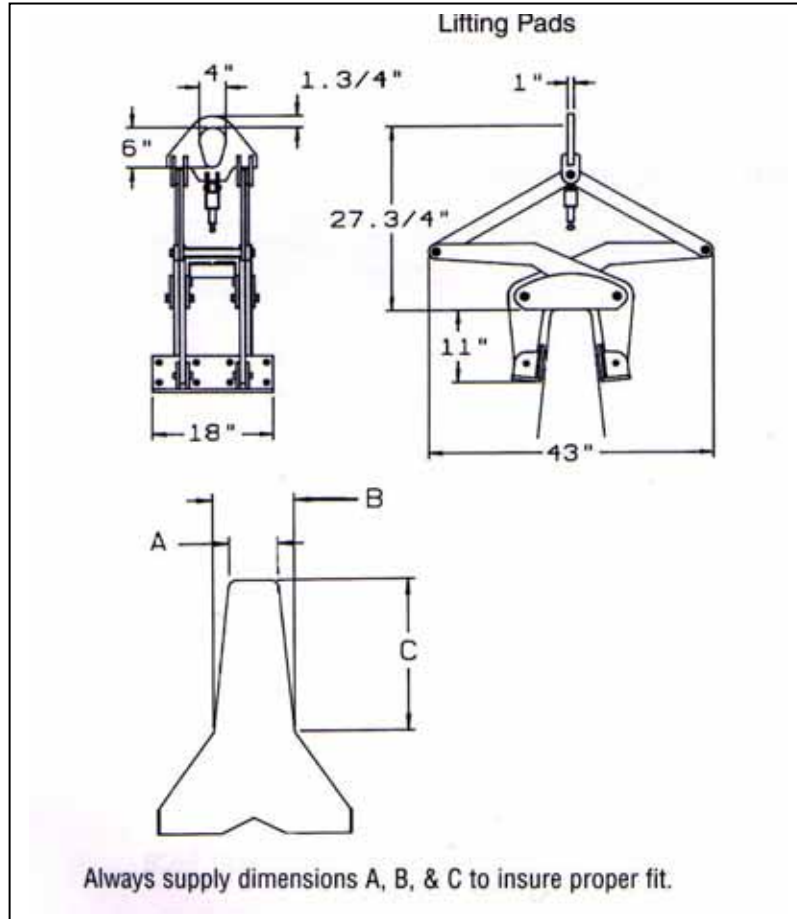
LIFTING GEAR HIRE CORPORATION

PHONE: 800-878-7305 FAX: 708-430-3536

www.lgh-usa.com

8,500 LBS. BARRIER LIFT

CALDWELL Model BLG (73-4 1/4, 74-4 1/4)



BARRIER LIFT SPECIFICATIONS

Model	Rated Load (lbs.)	Weight	Jaw Set
73 - 4 1/4 (Jersey)	8,500	330 lbs.	6"
74 - 4 1/4 (Southern)	8,500	430 lbs.	11"

* NOTE: Ensure that barrier size is the correct dimensions for the barrier lift. Barrier sizes range from state to state.