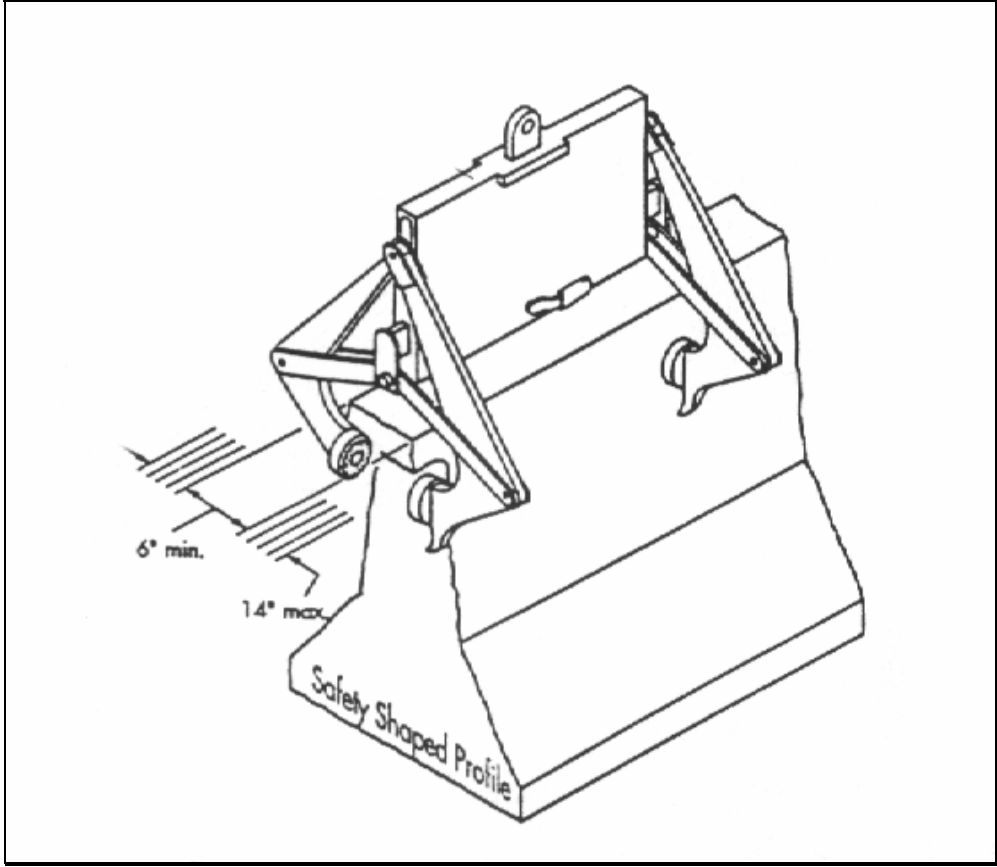




**LIFTING GEAR HIRE CORPORATION**  
**PHONE: 800-878-7305 FAX: 708-430-3536**  
**www.lgh-usa.com**  
**8500 LBS. BARRIER LIFT**  
**LIFTALL 8500-B**



**BARRIER LIFT SPECIFICATIONS**

Rated Load (lbs.)	Weight	Jaw Set
8500	217#	4 1/2" - 7"

\* NOTE: Ensure that barrier size is the correct dimensions for the barrier lift. Barrier sizes range from state to state.